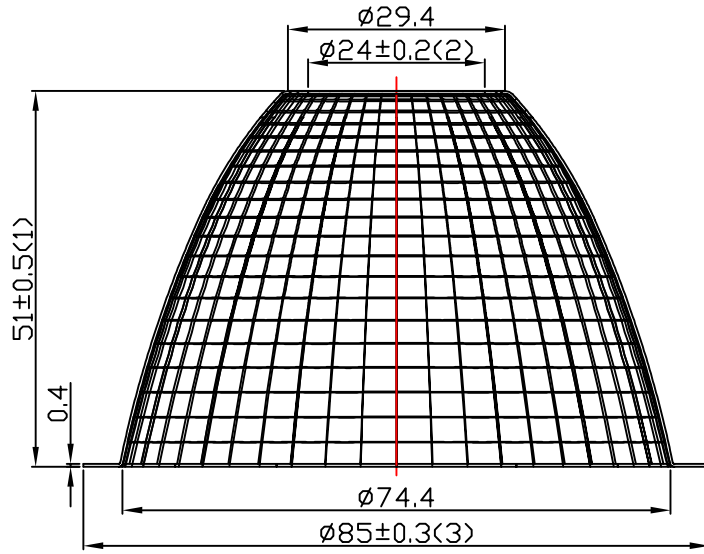
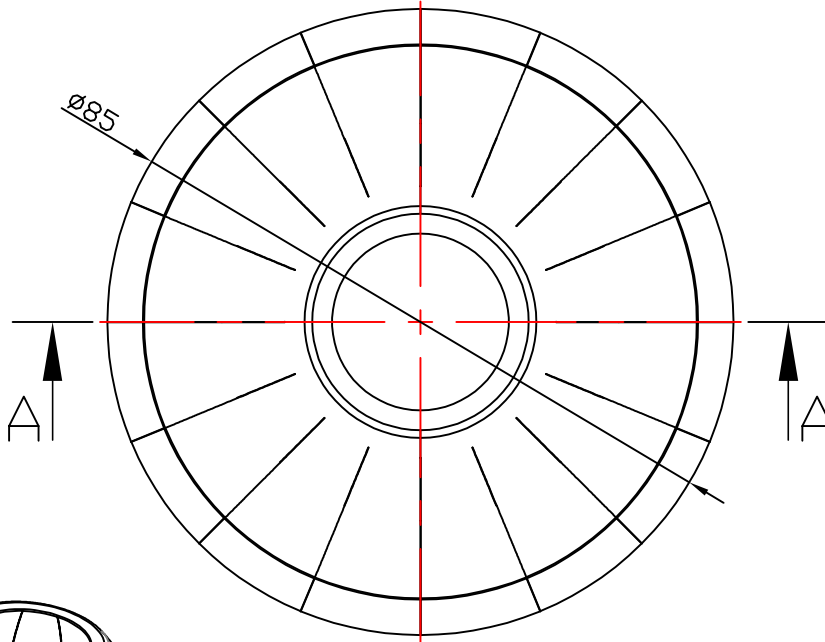


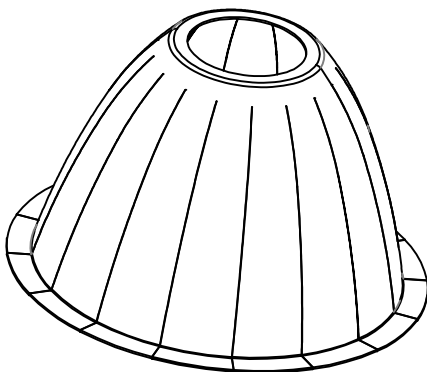
table for unmentioned tolerance in the drawing (unit: mm)			punch angle tolerance in the drawing (unit:degree)		
0-5	5-30	30-120	0-10	10-50	50-120
±0.15	±0.2	±0.5	±1°	±0.5°	±0.3°
120-250	250-400	400-700	120-250	250-360	360 above
±0.8	±1.5	±2	±0.2°	±0.166°	±0.083°



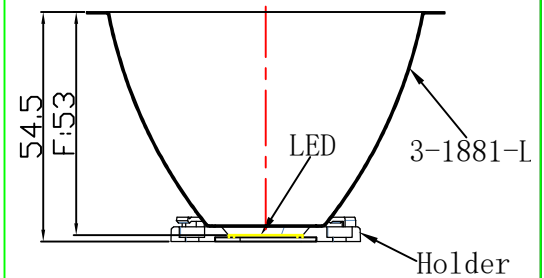
A - A



Light Source	LUMILEDS Luxeon Cob 1208
Plastic Holder	92.70.135.00
Metal Adapter	
Design Angle	24° ± 3°
Measured Angle	23.3°
Efficiency	



光学装配示意图



Material: T=0.4
MIRO 98AX4

Nata[®]
NATA Lighting Co., Ltd

Mark	Amended Times	Amended Content		Signature	Amended Date
Controll Version	AO	Design Version	KO	Client Version	
Designer		Drawing by		Proportion	1:1
Technology		Auditor		View	
Approval		Date	2018.03.16	Page	Total Page

Customer Item	
Customer Code	NT
Product Number	
Product Name	3-1882-L