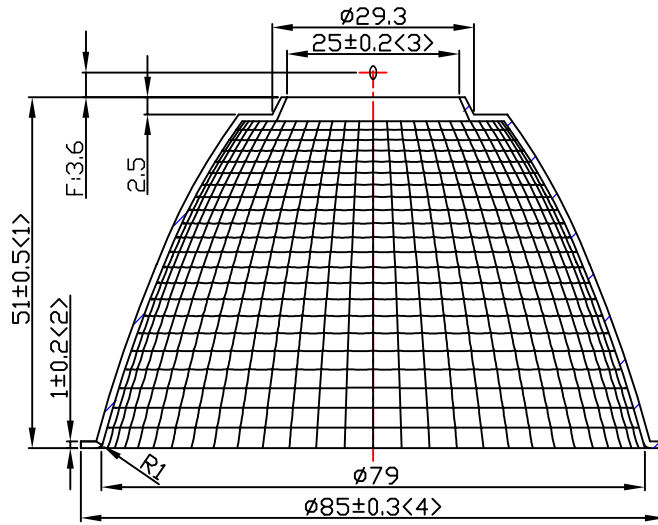
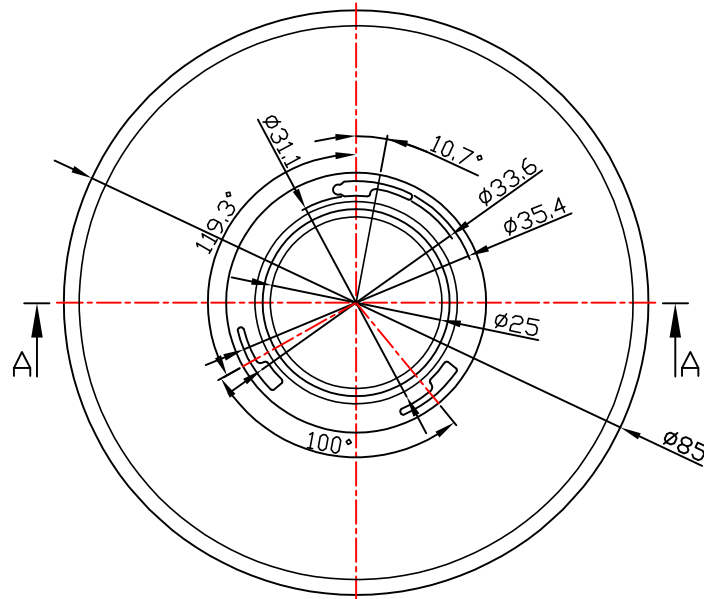


table for unmentioned tolerance in the drawing (unit: mm)			punch angle tolerance in the drawing (unit:degree)		
0-5	5-30	30-120	0-10	10-50	50-120
±0.15	±0.2	±0.5	±1°	±0.5°	±0.3°
120-250	250-400	400-700	120-250	250-360	360 above
±0.8	±1.5	±2	±0.2°	±0.166°	±0.083°



A - A



Light Source	CITIZEN CLC251
PlasticHolder	LMOP009-3225DH
Metal Adaptor	92.76.340.00
Design Angle	24° ±3°
Measured Angle	23.9°
Efficiency	

				Material:T=1.0 1090AL				Nata [®] NATA Lighting Co.,Ltd				
Mark	Amended Times	Amended Content		Signature	Amended Date			Customer Item				
Control Version	AO	Design Version	K0	Client Version				Customer Code	NT			
Designer	Drawing by		Proportion		1:1			Product Number				
Technology	Auditor		View					Product Name	3-1865-E			
Approval	Date	2017.01.03	Page	Total Page								