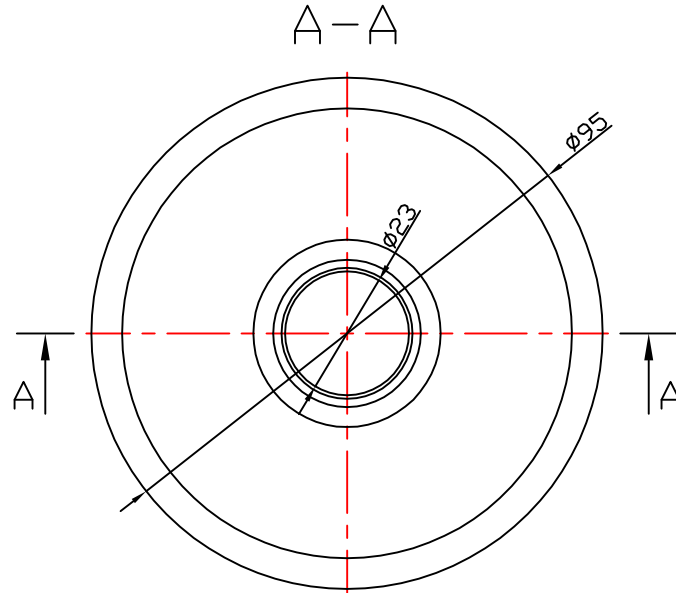
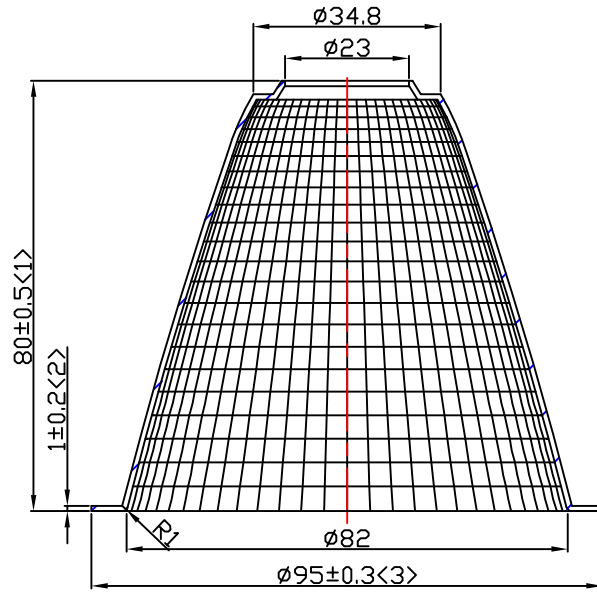
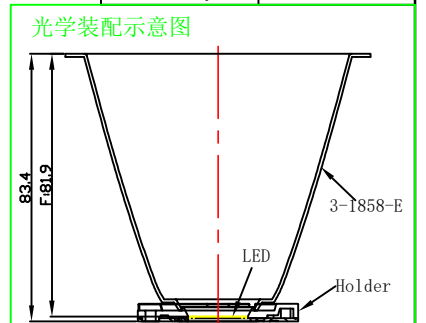


table for unmentioned tolerance in the drawing (unit: mm)			punch angle tolerance in the drawing (unit:degree)		
0-5	5-30	30-120	0-10	10-50	50-120
±0.15	±0.2	±0.5	±1°	±0.5°	±0.3°
120-250	250-400	400-700	120-250	250-360	360 above
±0.8	±1.5	±2	±0.2°	±0.166°	±0.083°



Light Source	LUMILEDS LUXEON CoB1208
PlasticHolder	99.02.73.181
Metal Adaptor	
Design Angle	18° ±3°
Measured Angle	16.5°
Efficiency	



						Material:T=1.0 1090AL		<b>Nata</b> <sup>®</sup> <b>NATA Lighting Co.,Ltd</b>	
Mark	Amended Times	Amended Content		Signature	Amended Date			Customer Item	
Controll Version	AO	Design Version	KO	Client Version				Customer Code	NT
Designer		Drawing by		Proportion	1:1			Product Number	
Technology		Auditor		View				Product Name	3-1858-E
Approval		Date	2016.10.31	Page	Total Page				