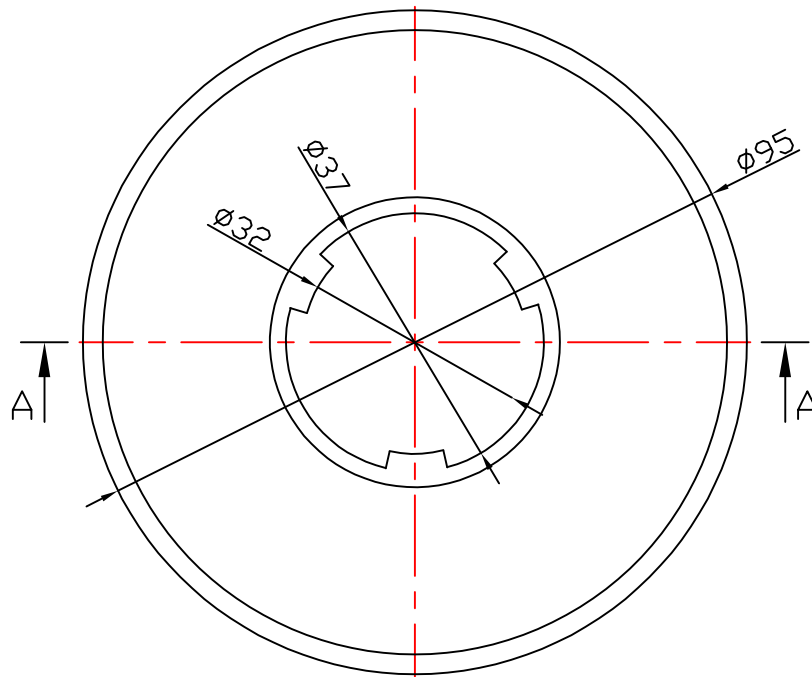
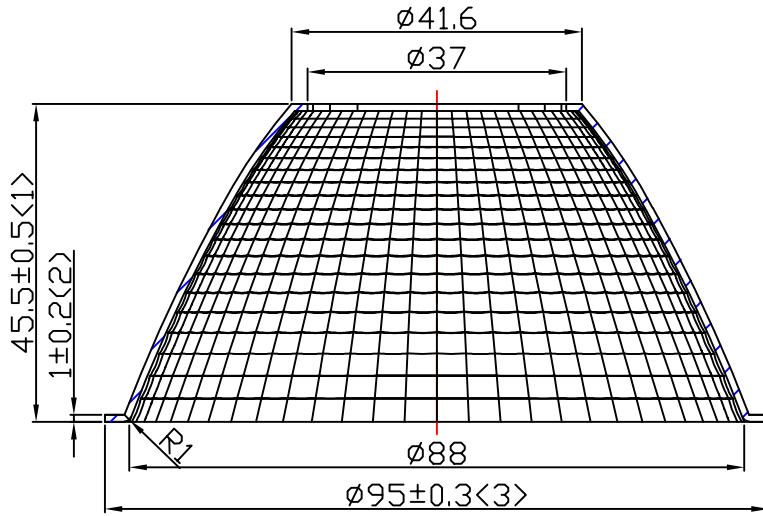


table for unmentioned tolerance in the drawing (unit: mm)			punch angle tolerance in the drawing (unit: degree)		
0-5	5-30	30-120	0-10	10-50	50-120
±0.15	±0.2	±0.5	±1°	±0.5°	±0.3°
120-250	250-400	400-700	120-250	250-360	360 above
±0.8	±1.5	±2	±0.2°	±0.166°	±0.083°



Light Source	BRIDGELUX Vero 29
PlasticHolder	
Metal Adaptor	92.76.227.00
Design Angle	$38^\circ \pm 3^\circ$
Measured Angle	$37.4^\circ$
Efficiency	

				Material: T=1.0 1090AL				<b>Nata</b> <sup>®</sup> <b>NATA Lighting Co.,Ltd</b>				
												Customer Item
Mark	Amended Times	Amended Content		Signature	Amended Date				Customer Code		NT	
Control Version	AO	Design Version	K0	Client Version	1:1				Product Number			
Designer		Drawing by		View					Product Name		3-1641-E	
Technology		Auditor		Page	Total Page							
Approval		Date	2018.03.16									