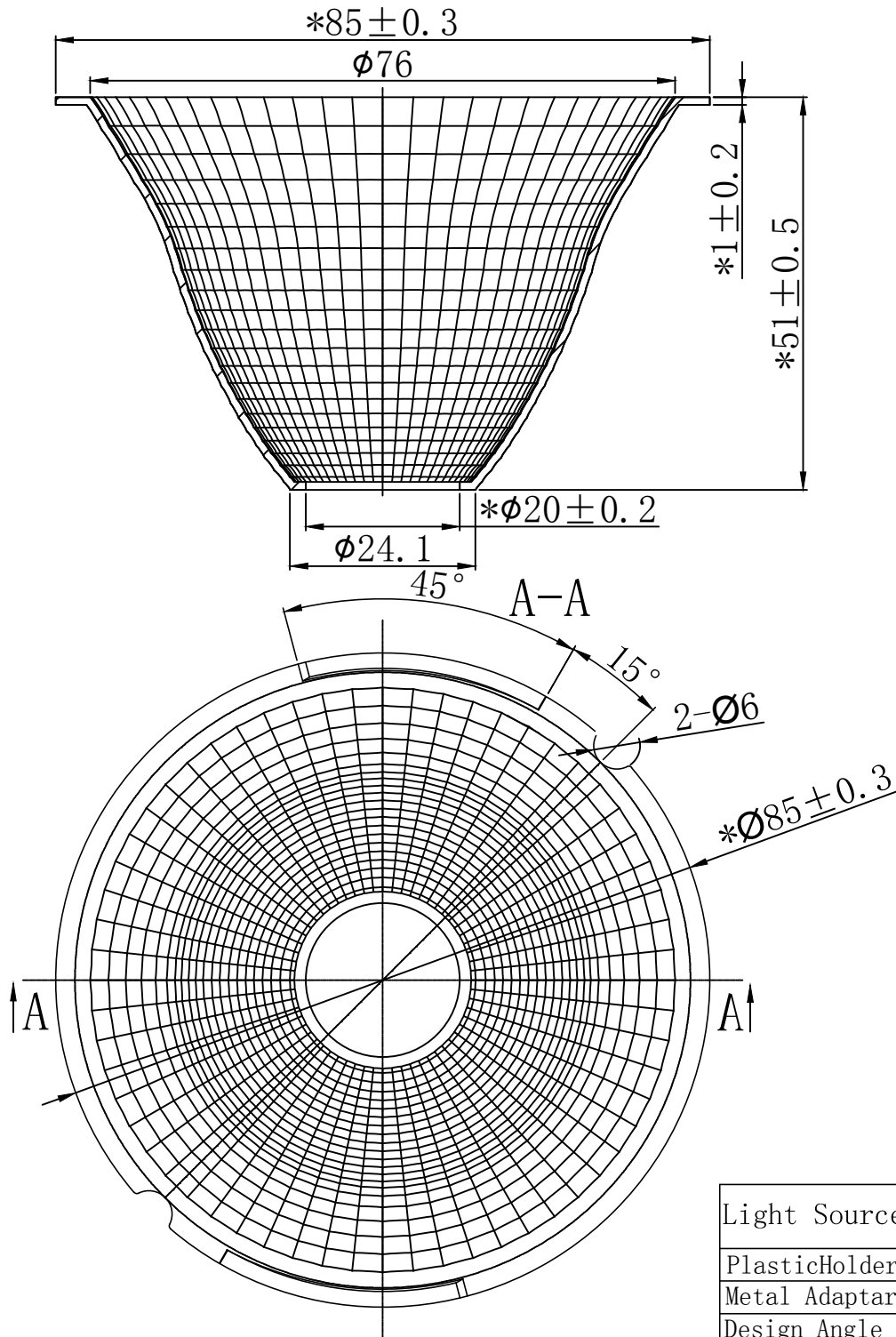


| table for unmentioned tolerance in the drawing (unit: mm) |         |         | punch angle tolerance in the drawing (unit:degree) |         |           |
|---|---------|---------|--|---------|-----------|
| 0-5   | 5-30    | 30-120  | 0-10   | 10-50   | 50-120    |
| ±0.15   | ±0.2    | ±0.5    | ±1°  | ±0.5°   | ±0.3°     |
| 120-250   | 250-400 | 400-700 | 120-250  | 250-360 | 360 above |
| ±0.8  | ±1.5    | ±2      | ±0.2°  | ±0.166° | ±0.083°   |

"()" Important size



|                |             |
|----------------|-------------|
| Light Source   | LUSTRON TX5 |
| Plastic Holder |             |
| Metal Adaptor  |             |
| Design Angle   | 33° ±3      |
| Measured Angle | 33.3°       |

Material:T=1.0 1090AL

**Nata**® Lighting Co., Ltd

| Mark             | Amended Times | Amended Content | Signature  | Amended Date   | Customer Item  |
|------------------|---------------|-----------------|------------|----------------|----------------|
| Controll Version | A0            | Design Version  | K0         | Client Version | Customer Code  |
| Designer         | C             | Drawing by      |            | Proportion     | Product Number |
| Technology       |               | Auditor         |            | View           | Product Name   |
| Approval         |               | Date            | 2018.11.05 | Page           |                |
|                  |               |                 |            | Total Page     |                |