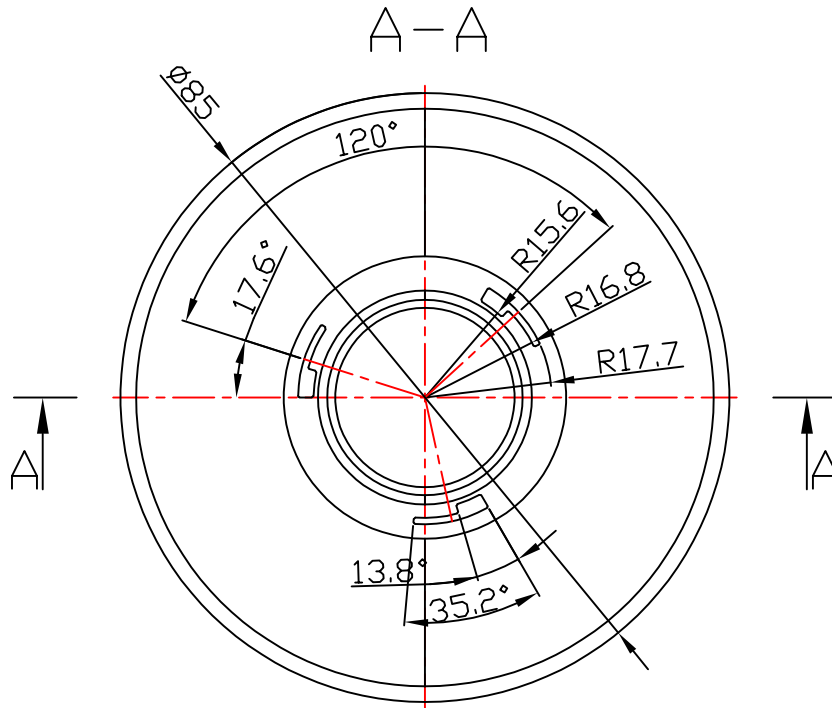
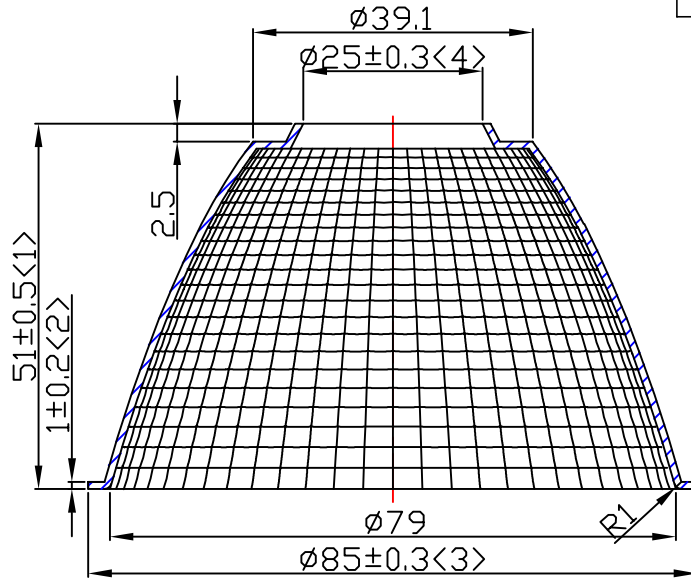
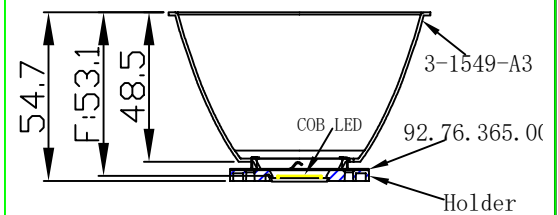


table for unmentioned tolerance in the drawing (unit: mm)			punch angle tolerance in the drawing (unit:degree)		
0-5	5-30	30-120	0-10	10-50	50-120
±0.15	±0.2	±0.5	±1°	±0.5°	±0.3°
120-250	250-400	400-700	120-250	250-360	360 above
±0.8	±1.5	±2	±0.2°	±0.166°	±0.083°



Light Source	OSRAM OPTO SOLERIQ S13
PlasticHolder	99.02.73.172
Metal Adaptor	TE 2213401-1
Design Angle	24° ±3°
Measured Angle	22°
Efficiency	

### 光学装配示意图



Mark	Amended Times	Amended Content		Signature	Amended Date
Controll Version	A0	Design Version	K1	Client Version	
Designer		Drawing by		Proportion	1:1
Technology		Auditor		View	
Approval		Date	2018 03 09	Page	Total Page

Material:T=1.0  
1090AL

**Nata**<sup>®</sup>  
**NATA Lighting Co.,Ltd**

Customer Item	
Customer Code	NT
Product Number	
Product Name	3-1549-A3