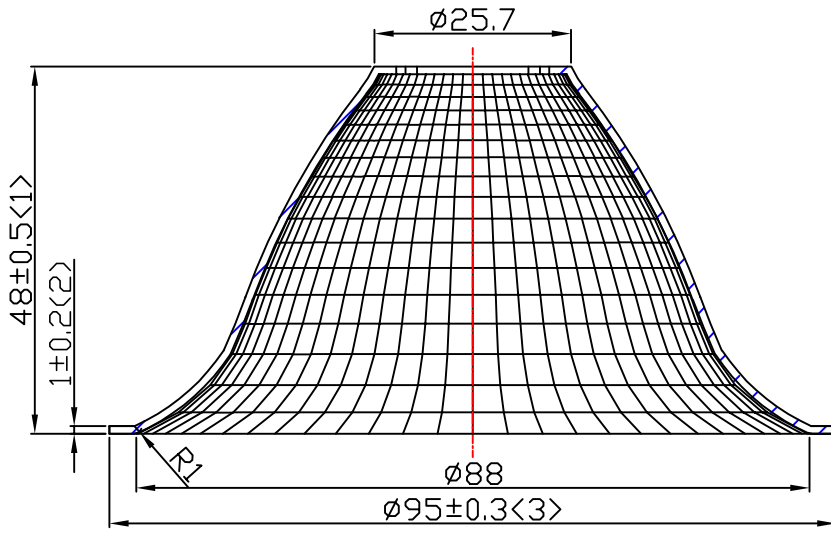
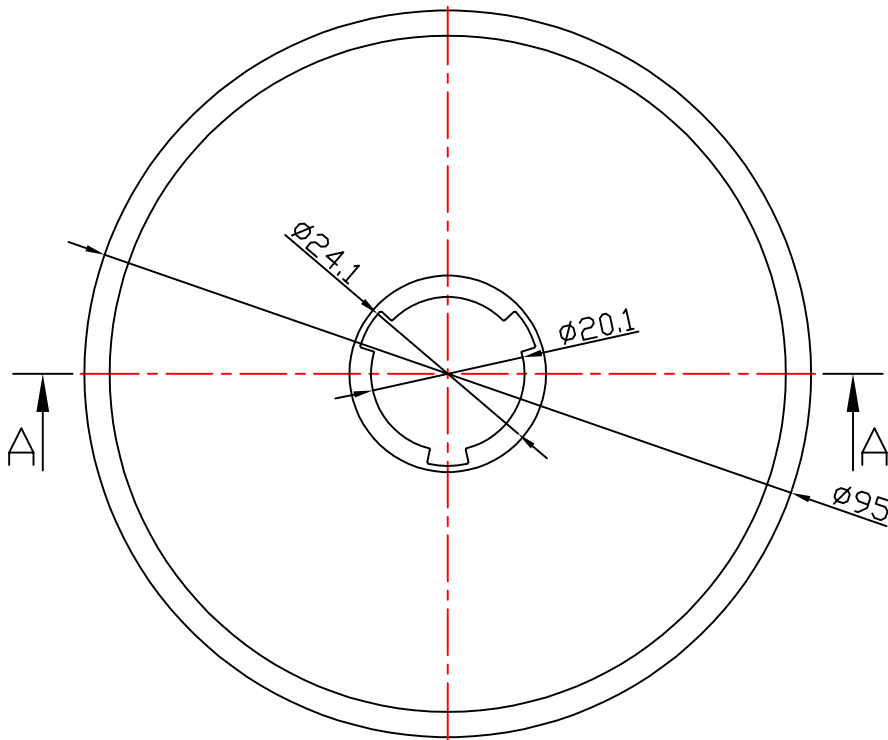


table for unmentioned tolerance in the drawing (unit: mm)			punch angle tolerance in the drawing (unit: degree)		
0-5	5-30	30-120	0-10	10-50	50-120
±0.15	±0.2	±0.5	±1°	±0.5°	±0.3°
120-250	250-400	400-700	120-250	250-360	360 above
±0.8	±1.5	±2	±0.2°	±0.166°	±0.083°



A-A



Light Source	BRIDGELUX Vero 18
PlasticHolder	
Metal Adaptor	92.76.263.00
Design Angle	$24^\circ \pm 3^\circ$
Measured Angle	$25^\circ$
Efficiency	

				Material: T=1.0 1090AL				<b>Nata</b> <sup>®</sup> <b>NATA Lighting Co.,Ltd</b>					
												Customer Item	
Mark	Amended Times	Amended Content		Signature	Amended Date				Customer Code		NT		
Controll Version		AO	Design Version	KO	Client Version					Product Number			
Designer		Drawing by		Proportion	1:1						Product Name		3-1542-E
Technology		Auditor		View									
Approval		Date	2014.08.24		Page	Total Page							