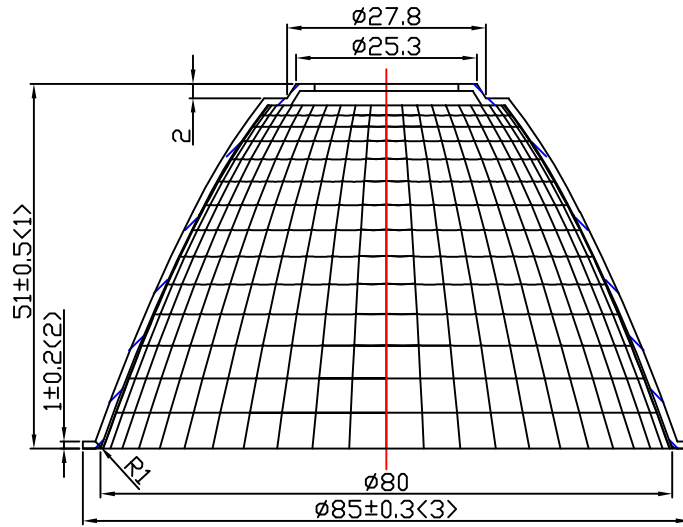
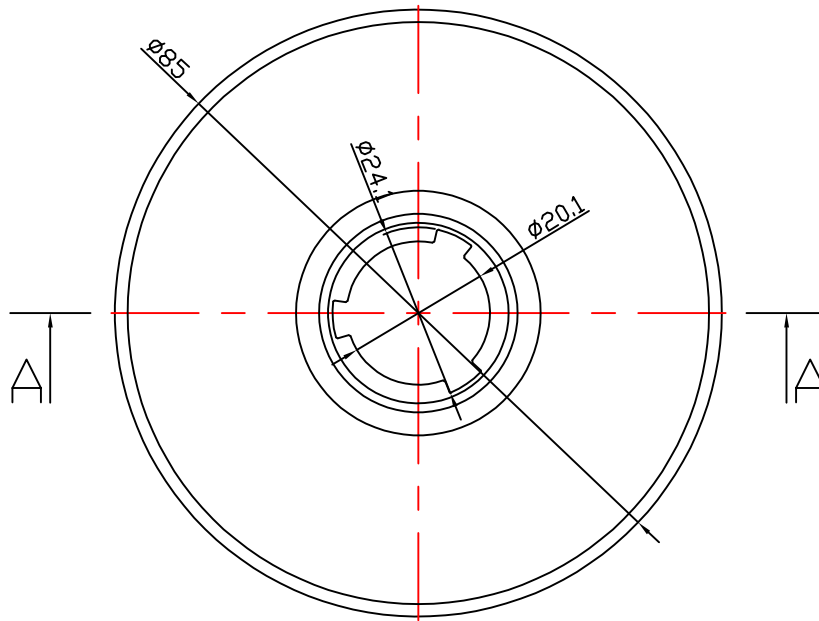


table for unmentioned tolerance in the drawing (unit: mm)			punch angle tolerance in the drawing (unit:degree)		
0-5	5-30	30-120	0-10	10-50	50-120
±0.15	±0.2	±0.5	±1°	±0.5°	±0.3°
120-250	250-400	400-700	120-250	250-360	360 above
±0.8	±1.5	±2	±0.2°	±0.166°	±0.083°



A - A



Light Source	BRIDGELUX Vero 13
PlasticHolder	
Metal Adaptor	92.76.263.00
Design Angle	15° ± 3°
Measured Angle	13.9°
Efficiency	

				Material: T=1.0 1090AL				Nata [®] NATA Lighting Co.,Ltd	
Mark	Amended Times	Amended Content		Signature	Amended Date		Customer Item		
Controll Version	A1	Design Version	K0	Client Version			Customer Code NT		
Designer		Drawing by		Proportion	1:1		Product Number		
Technology		Auditor		View			Product Name		
Approval		Date	2017.09.08	Page	Total Page		3-1468-E		