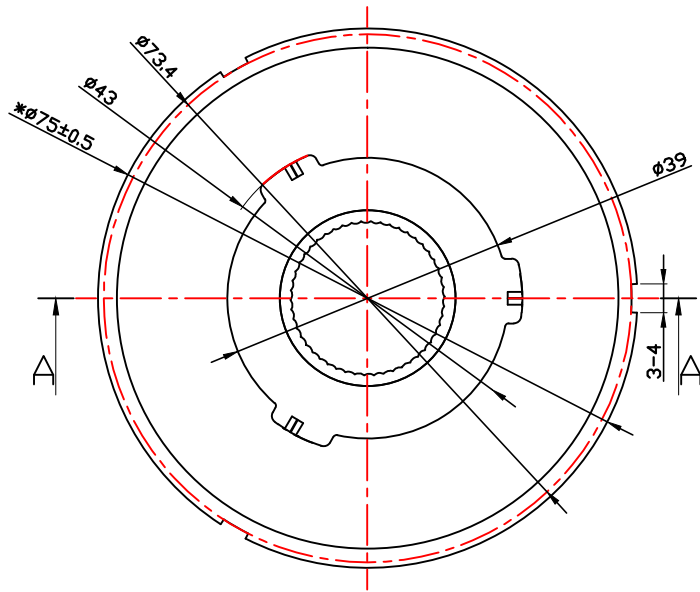
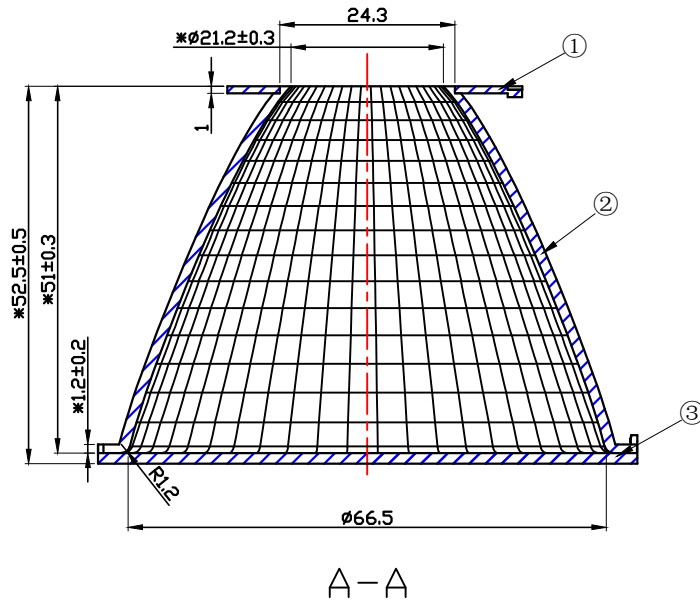


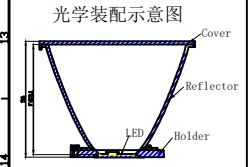
| Item NO. | Product Name | Product NO. | QTY | Page | Description |
|----------|---------------------|--------------|-----|------|----------------------------|
| ① | EW76.750.10 固定卡环 | 97.76.750.10 | 1 | 4 | t=1.0mm 1060AL, Andoizing. |
| ② | 2-2431-H | | 1 | 2 | t=1.2mm 1090AL, Andoizing. |
| ③ | EW-75透明片 | 97.70.365.00 | 1 | 3 | PC |

| table for unmentioned tolerance in the drawing (unit: mm) | | | | punch angle tolerance in the drawing (unit: degree) | | |
|---|-----------|-----------|----------|---|---------|-----------|
| > 0-5 | > 5-30 | > 30-90 | > 90-150 | 0-10 | 10-50 | 50-120 |
| ±0.15 | ±0.2 | ±0.4 | ±0.5 | ±1° | ±0.5° | ±0.3° |
| > 150-250 | > 250-400 | > 400-700 | | 120-250 | 250-360 | 360 above |
| ±0.8 | ±1.5 | ±2 | | ±0.2° | ±0.166° | ±0.085° |

“*” Marked for key control dimensions



| | |
|----------------|----------------|
| Light Source | CITIZEN CLU038 |
| PlasticHolder | 92.70.131.00 |
| Metal Adaptor | |
| Design Angle | 24° ±3° |
| Measured Angle | |
| Efficiency | |



Technical requirements:

1. Material: AL.
2. Surface treatment: Andoizing..
3. Product untolerance reference untolerance table.

| | | | | | | |
|------------------|--------------------|-------------------------|------------------|---------------------------|-----------------------------|--------------|
| | | | | P/N: 91.02.2430.000 | | 版本/REV K4 |
| | | | | 产品名称 Product Name | | 2-2430-M |
| | | | | 客户代号 Customer Code | | NT |
| | | | | 客户编号 Customer Item | | EW-24° |
| 标记 Mark | 处数 Issued Times | 更改内容 Amended Content | 签名 Signature | 更改日期 Amended Date | 工程图 Engineering drawings | |
| 设计 Designer | 区工 | 制图 Drawing by | 比例 Proportion | 1:1 | | |
| 工艺 Technology | | 审核 Auditor | 视角 View | | | |
| 批准 Approval | | 日期 Date | 页数 Page | 共1页 第1页 | | |
| | | | | 图档路径 The path of files | Nata® | |
| | | | | | | |