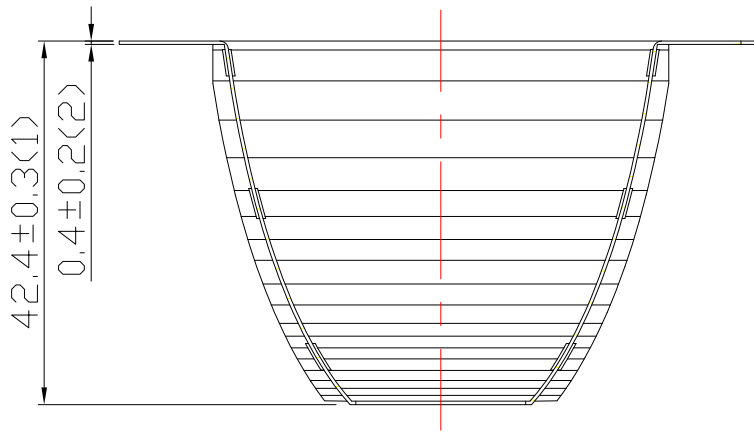
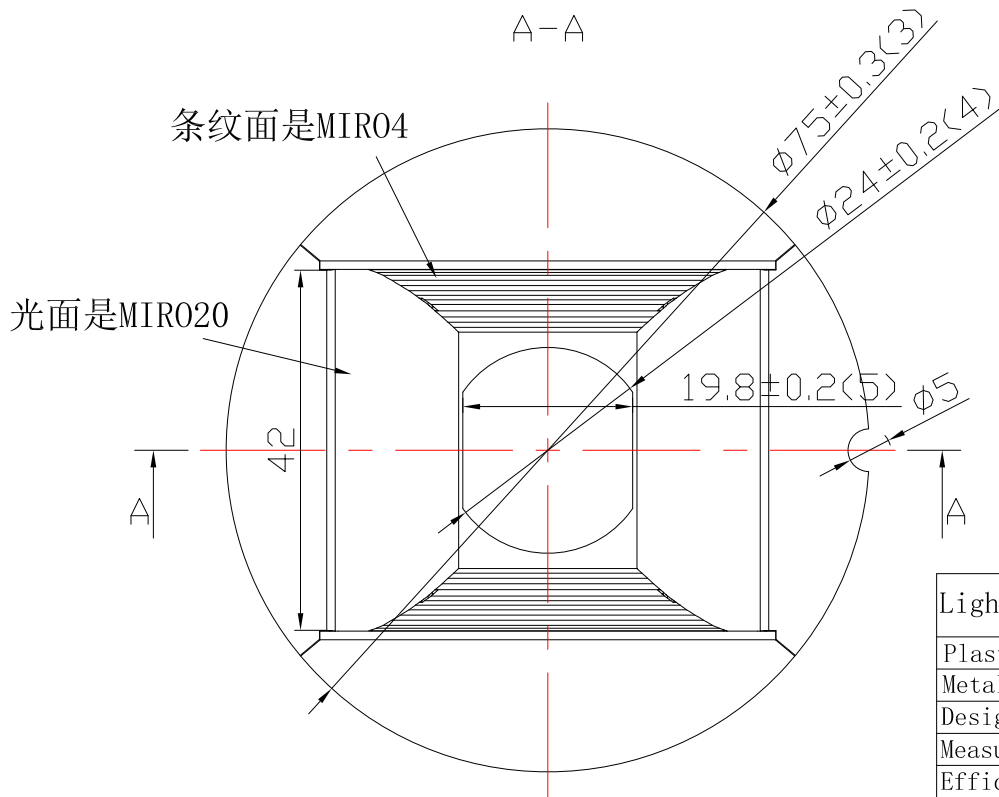


table for unmentioned tolerance in the drawing (unit: mm)			punch angle tolerance in the drawing (unit: degree)		
0-5	5-30	30-120	0-10	10-50	50-120
±0.15	±0.2	±0.5	±1°	±0.5°	±0.3°
120-250	250-400	400-700	120-250	250-360	360 above
±0.8	±1.5	±2	±0.2°	±0.166°	±0.083°

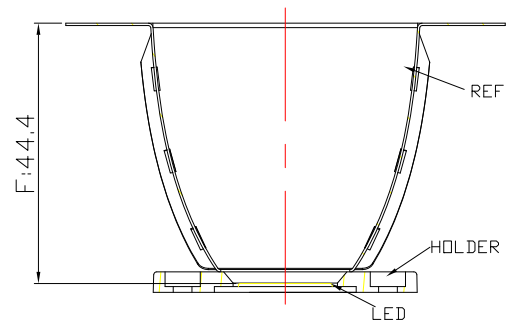


A-A



Light Source	LUMILEDS 1208
Plastic Holder	92.70.135.00
Metal Adapter	
Design Angle	40° *70° ±5°
Measured Angle	
Efficiency	

ASSEMBLY DRAWINGS



技术要求:

1. 材质:0.4 miro20AL&miro4AL。
2. 表面处理:无。
3. 产品未注公差参考未注公差表。

Engineering drawings

Nata[®]

Mark	Amended Times	Amended Content	Signature	Amended Date
△KO	1			
Controll Version	AO	Design Version	KO	Client Version
Designer	林工	Drawing by		Proportion
Technology		Auditor		View
Approval		Date	2021.03.18	Page
				Total Page

Customer Item	D75-长方切合反光杯
Customer Code	NT
Product Number	91.02.2322.00
Product Name	2-2322-M