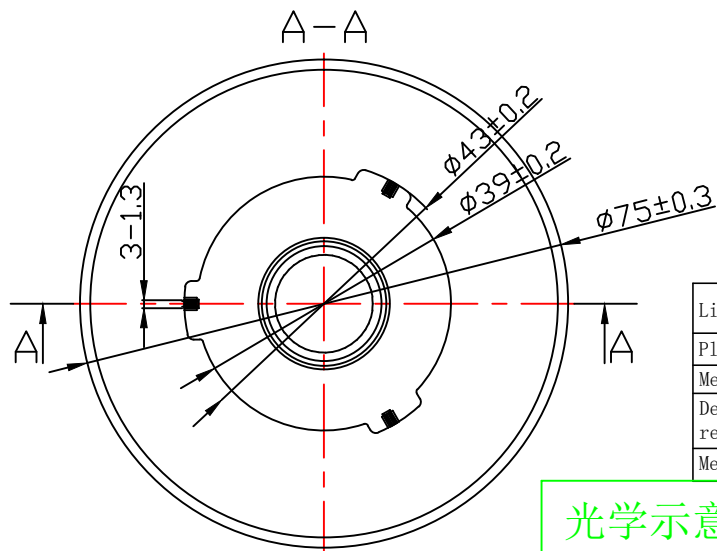
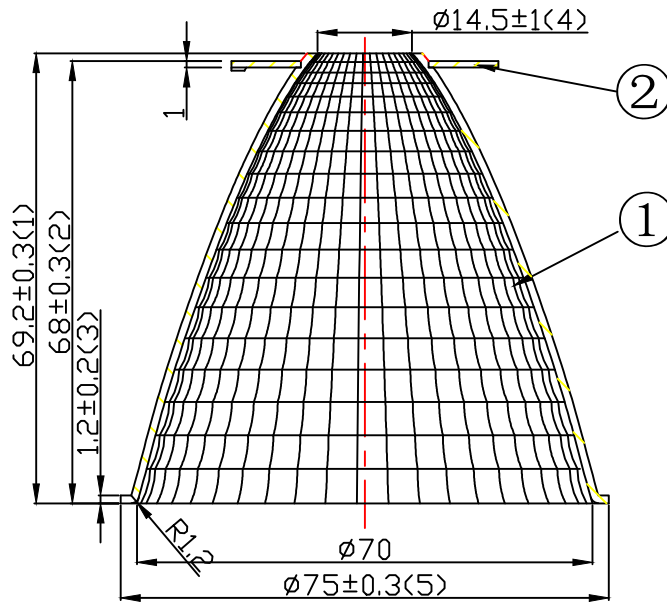


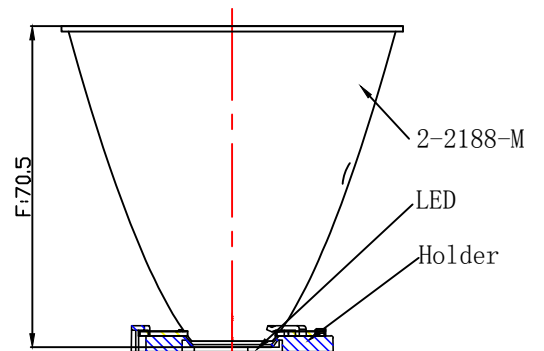
Product bill of material				
Serial number	material name	Masterial number	NO.	Describe
①	2-2167-H	94.02.2167.000	1	Material:T=1.2mm 1090AL
②	2-2187-M Metal Adaptar	97.76.750.03	1	Material:T=1.0mm 1060 H22

table for unmentioned tolerance in the drawing (unit: mm)			punch angle tolerance in the drawing (unit:degree)		
0-5	5-30	30-120	0-10	10-50	50-120
±0.15	±0.2	±0.5	±1°	±0.5°	±0.3°
120-250	250-400	400-700	120-250	250-360	360 above
±0.8	±1.5	±2	±0.2°	±0.166°	±0.083°



Light Source	LUMILEDS CXM-14-AC30 LES14.5
PlasticHolder	92.70.131.00
Metal Adaptar	
Design requiremngt	$36^\circ \pm 3^\circ$
Measured result	36.6°

光学示意图



					<p style="text-align: center;">Nata[®] NATA Lighting Co.,Ltd</p>			
							Customer Item	OD75mm深筒AU反光杯36°
							Customer Code	NT
							Product Number	91.02.2188.000
Mark	Amended Times	Amended Content		Signature	Amended Date	Product Name	2-2188-M	
Controll Version	A0	Design Version	K0	Client Version				
Designer		Drawing by		Proportion	1:1			
Technology		Auditor		View				
Approval		Date	2020.02.27	Page	Total Page			