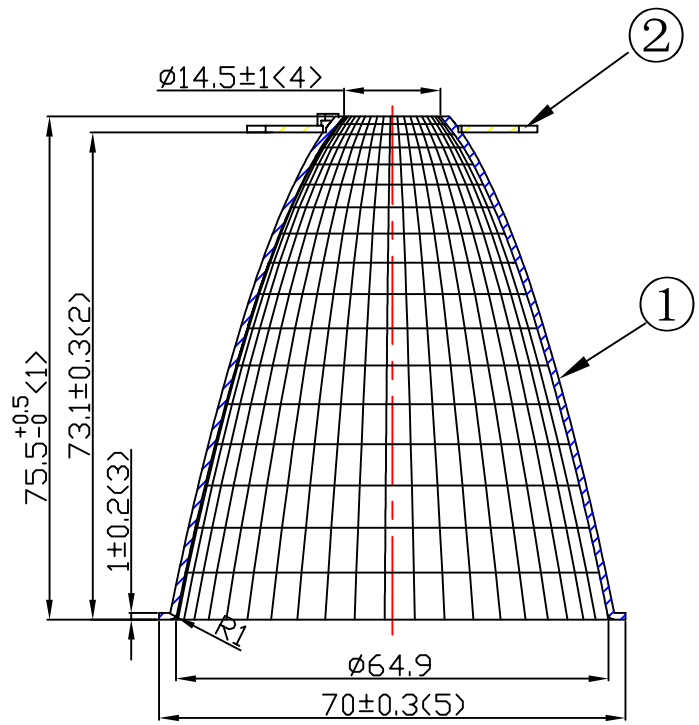
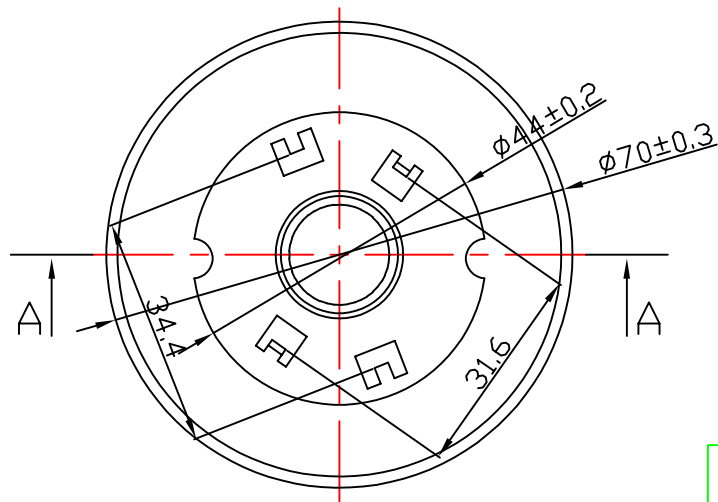


Product bill of material				
Serial number	material name	Masterial number	NO.	Describe
①	2-2093-H	94.02.2093.000	1	Material:T=1.0mm 1090AL
②	2-2183-M Metal Adapter	97.76.787.02	1	Material:T=1.0mm 1060 H22

table for unmentioned tolerance in the drawing (unit: mm)			punch angle tolerance in the drawing (unit:degree)		
0-5	5-30	30-120	0-10	10-50	50-120
±0.15	±0.2	±0.5	±1°	±0.5°	±0.3°
120-250	250-400	400-700	120-250	250-360	360 above
±0.8	±1.5	±2	±0.2°	±0.166°	±0.083°

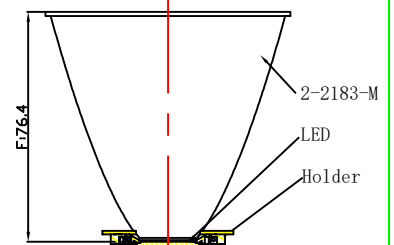


A-A



Light Source	LUMILEDS LUXEON CoB 1208 LES15
PlasticHolder	BJB47.360.508C
Design requiremengt	18° ±3°
Measured result	18.4°

光学示意图



Mark	Amended Times	Amended Content		Signature	Amended Date
Controll Version	AO	Design Version	KO	Client Version	
Designer		Drawing by		Proportion	1:1
Technology		Auditor		View	
Approval		Date	2020.02.27	Page	Total_Page_

Nata®

Customer Item	D70深筒反光杯18°
Customer Code	NT
Product Number	91.02.2183.000
Product Name	2-2183-M