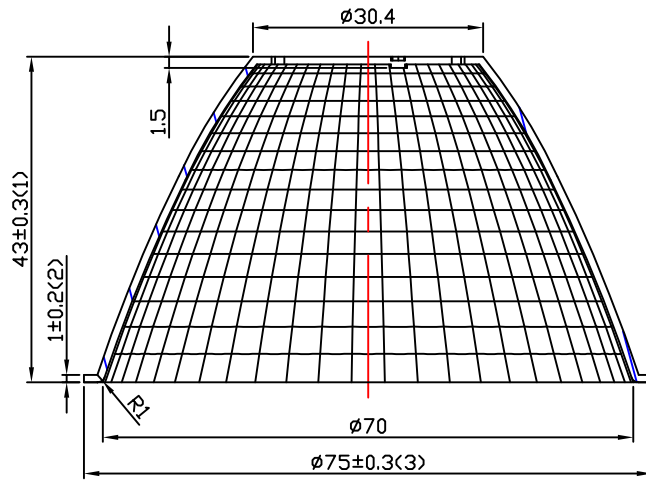
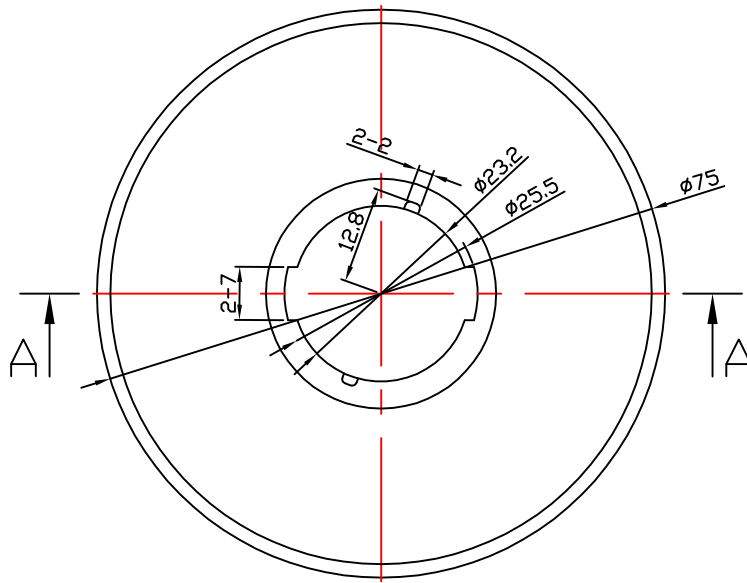


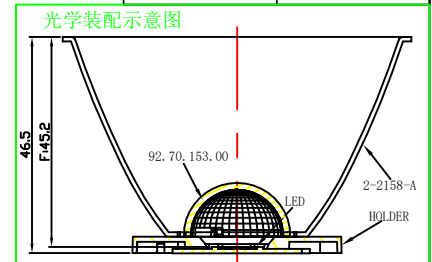
table for unmentioned tolerance in the drawing (unit: mm)			punch angle tolerance in the drawing (unit:degree)		
0-5	5-30	30-120	0-10	10-50	50-120
±0.15	±0.2	±0.5	±1°	±0.5°	±0.3°
120-250	250-400	400-700	120-250	250-360	360 abov
±0.8	±1.5	±2	±0.2°	±0.166°	±0.083°



A-A



Light Source	PHILIPS SLM92757TWL112024C
PlasticHolder	
Maxing dome	92.70.153.00
Metal Adaptor	
Design requirement	20° ±3°
Measured result	19.4°



Material:T=1.0 1090AL

**Nata**<sup>®</sup>  
**NATA Lighting Co.,Ltd**

Mark	Amended Times	Amended Content	Signature	Amended Date
Control Version	AO	Design Version	KO	Client Version
Designer		Drawing by		Proportion
Technology		Auditor		View
Approval		Date	2019. 11. 18	Page
				Total Page

Customer Item	OD75mm调光反光杯20°
Customer Code	NT
Product Number	91.02.2158.000
Product Name	2-2158-A