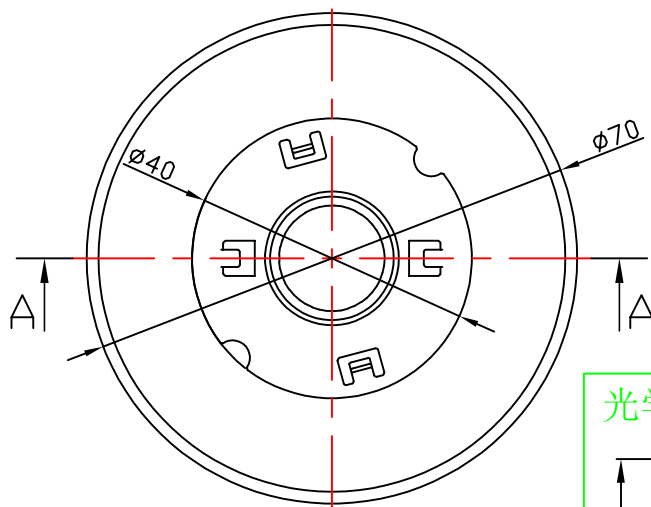
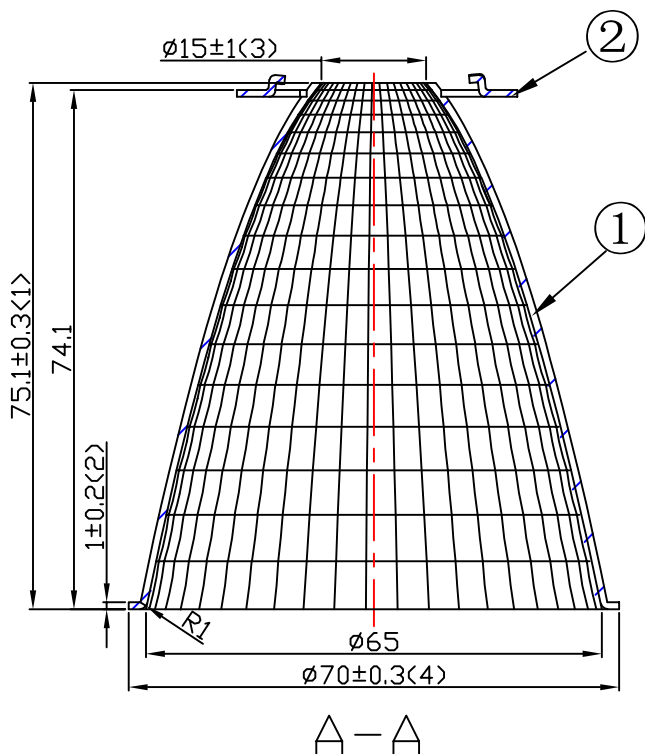


Product bill of material

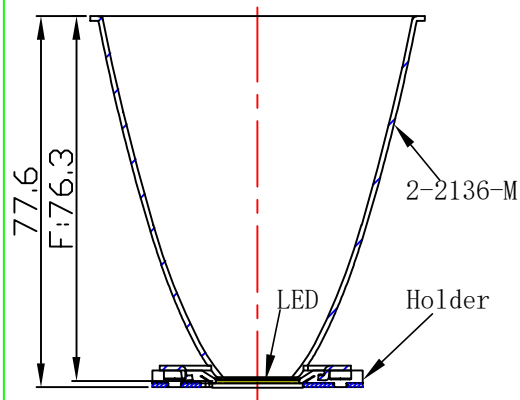
Serial number	material name	Masterial number	NO.	Describe
①	2-2094-H	94.02.2094.000	1	Material:T=1.0mm 1090AL
②	D40xD19.2 Metal Adapter	97.76.774.05	1	Material:T=1.0mm 1060 H22

table for unmentioned tolerance in the drawing (unit: mm)			punch angle tolerance in the drawing (unit:degree)		
0-5	5-30	30-120	0-10	10-50	50-120
±0.15	±0.2	±0.5	±1°	±0.5°	±0.3°
120-250	250-400	400-700	120-250	250-360	360 above
±0.8	±1.5	±2	±0.2°	±0.166°	±0.083°



Light Source	CITIZEN CLU038
PlasticHolder	BJB 47.360.1010
Design requirement	24° ±3°
Measured result	24.3°

光学装配示意图



Mark	Amended Times	Amended Content		Signature	Amended Date
Controll Version	A0	Design Version	K0	Client Version	
Designer		Drawing by		Proportion	1:1
Technology		Auditor		View	
Approval		Date	2019.10.18	Page	Total Page

Nata[®]
NATA Lighting Co.,Ltd

Customer Item	D70深筒G2 BJB系列 24D
Customer Code	NT
Product Number	91.02.2136.000
Product Name	2-2136-M