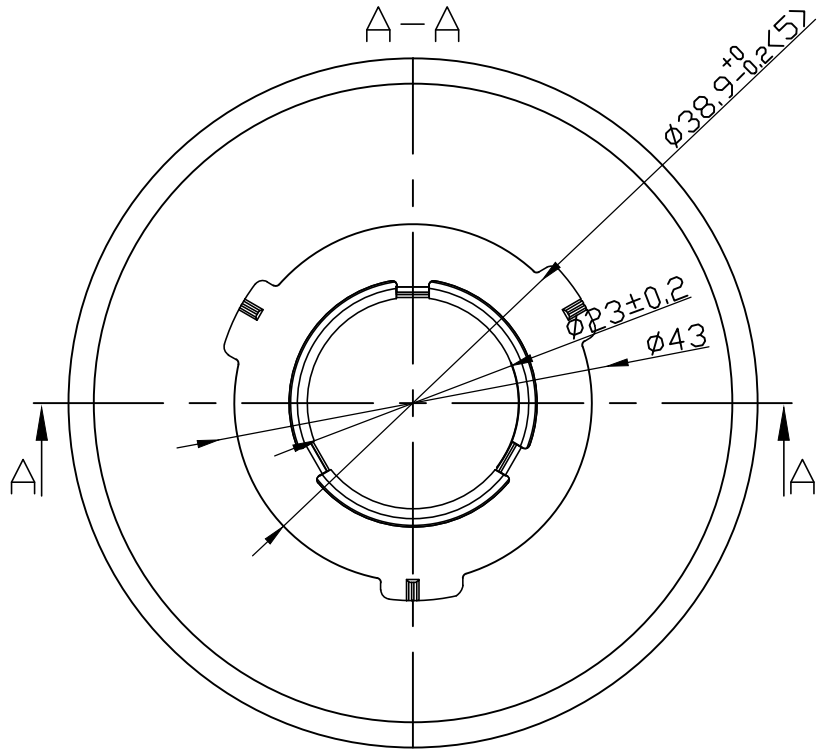
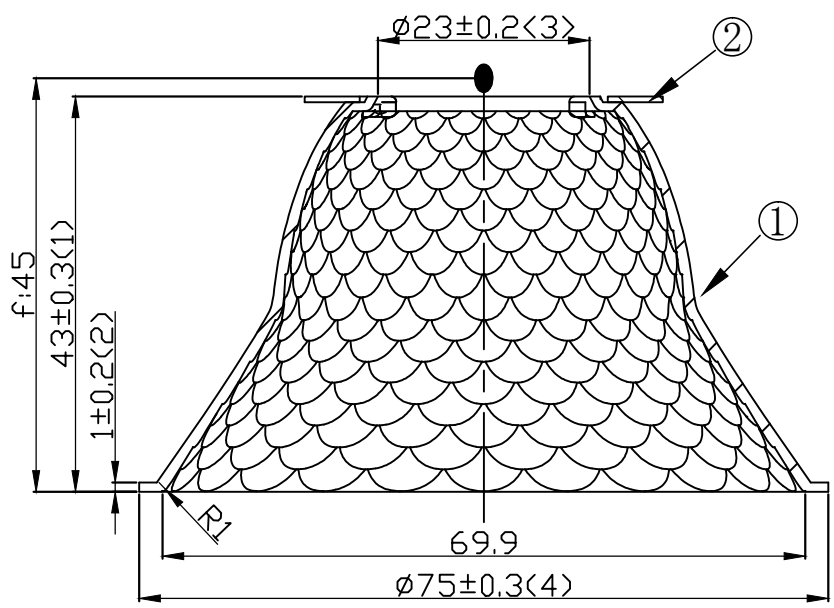


table for unmentioned tolerance in the drawing (unit: mm)			punch angle tolerance in the drawing (unit:degree)		
0-5	5-30	30-120	0-10	10-50	50-120
±0.15	±0.2	±0.5	±1°	±0.5°	±0.3°
120-250	250-400	400-700	120-250	250-360	360 above
±0.8	±1.5	±2	±0.2°	±0.166°	±0.083°



Light Source	LUXEON COB 1205
PlasticHolder	92.70.135.00
Metal Adaptor	97.76.368.00
Design Angle	60° ±5°
Measured Angle	64.1°
Efficiency	

Product bill of material					
Serial number	material name	Masterial number	NO.	Pagunation	Describe
①	2-2009-A	94.02.2009.000	1	2	Material:AL 1.0 1070AL
②	D43*H:0.6	97.76.368.00	1	4	Material:T:0.6 304

				Material:T:1.0 1070AL		<b>Nata</b> <sup>®</sup> <b>NATA Lighting Co.,Ltd</b>	
Mark	Amended Times	Amended Content		Signature	Amended Date		
Controll Version	A0	Design Version	K2	Client Version	1:1		
Designer	Drawing by		Proportion	View			
Technology	Auditor		Date	2019.05.16	Page	Total_ Page_	
Approval						Customer Item	
						Customer Code	NT
						Product Number	91.02.2010.000
						Product Name	2-2010-M