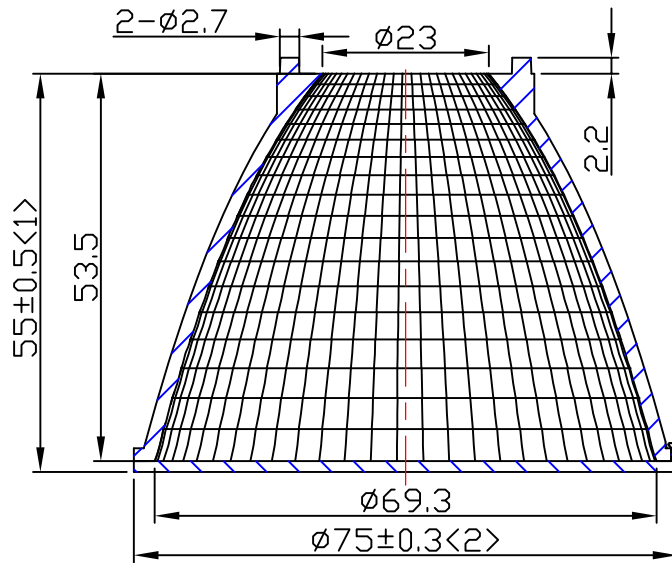


Product bill of material

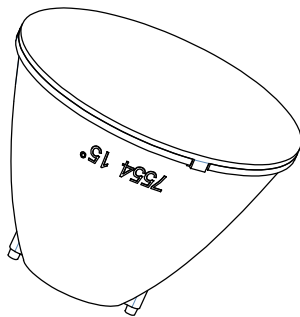
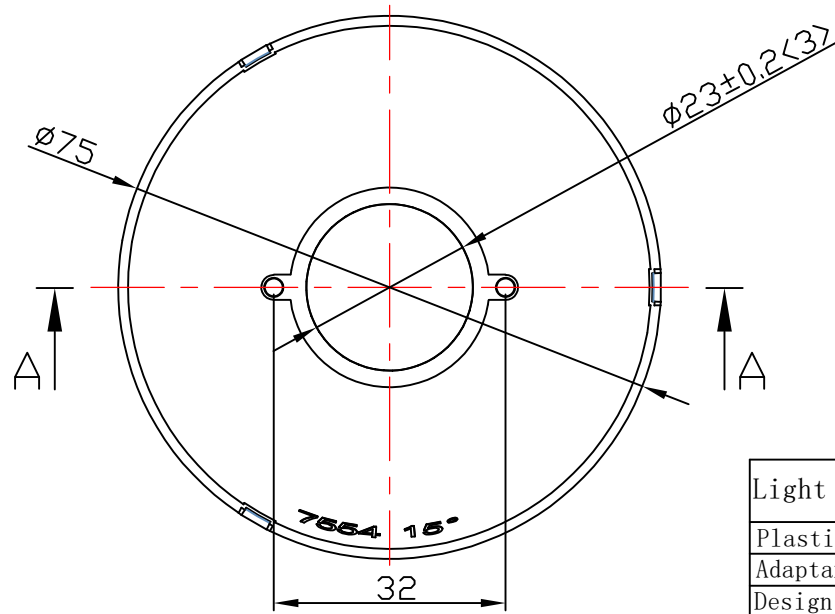
Serial number	material name	Material number	NO.	Describe
①	2-1595-S	94.02.1595.000	1	Material:PC
②	D59镜面防尘片	97.70.141.00	1	Material:PC

table for unmentioned tolerance in the drawing  
(unit: mm)

0-5	5-30	30-120	120-250	250-400	400-70
±0.15	±0.2	±0.5	±0.8	±1.5	±2

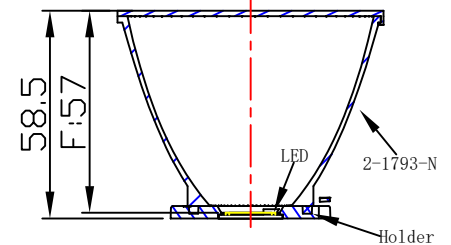


A-A



Light Source	CREE CXA1816
PlasticHolder	92.70.129.00
Adaptar	
Design Angle	16° ±3°
Measured Angle	16.2°
Efficiency	

光学装配示意图



Mark	Amended Times	Amended Content		Signature	Amended Date
Controll Version	AO	Design Version	K1	Client Version	
Designer		Drawing by		Proportion	1:1
Technology		Auditor		View	
Approval		Date	2018.09.30	Page	Total_ Page_

Material:PC

**Nata**<sup>®</sup>  
**NATA Lighting Co.,Ltd**

Customer Item	
Customer Code	NT
Product Number	
Product Name	2-1793-N