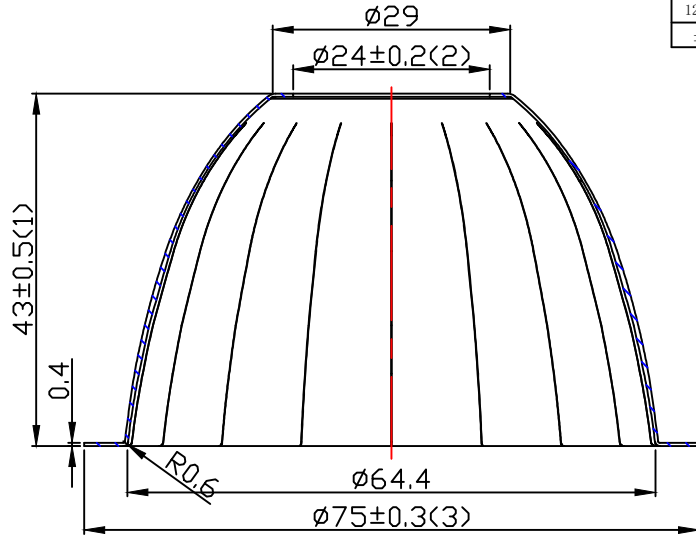
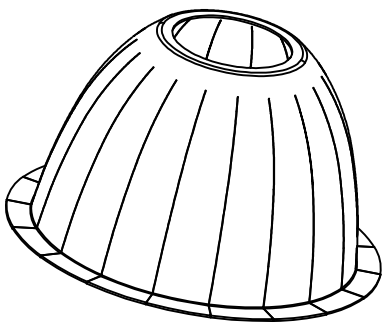
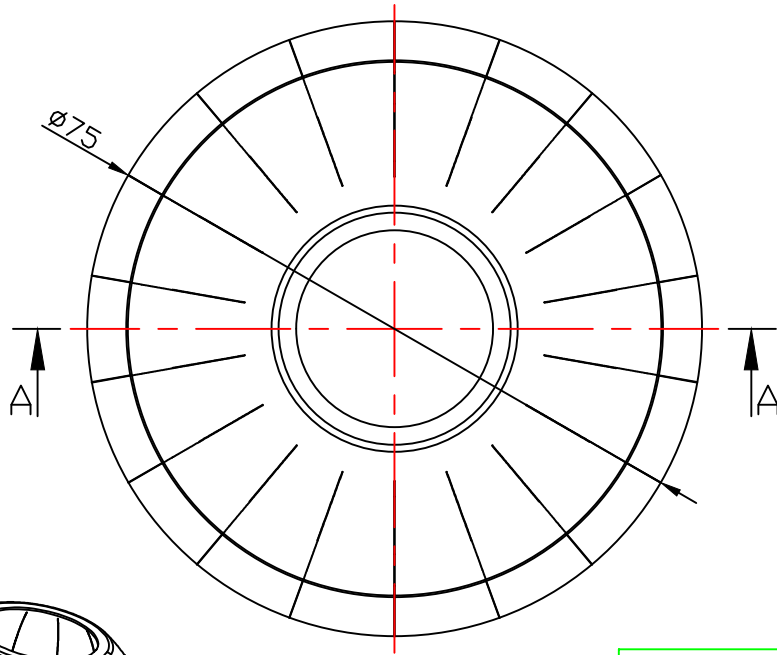


| table for unmentioned tolerance in the drawing (unit: mm) |         |         | punch angle tolerance in the drawing (unit:degree) |         |           |
|-----------------------------------------------------------|---------|---------|----------------------------------------------------|---------|-----------|
| 0-5                                                       | 5-30    | 30-120  | 0-10                                               | 10-50   | 50-120    |
| ±0.15                                                     | ±0.2    | ±0.5    | ±1°                                                | ±0.5°   | ±0.3°     |
| 120-250                                                   | 250-400 | 400-700 | 120-250                                            | 250-360 | 360 above |
| ±0.8                                                      | ±1.5    | ±2      | ±0.2°                                              | ±0.166° | ±0.083°   |

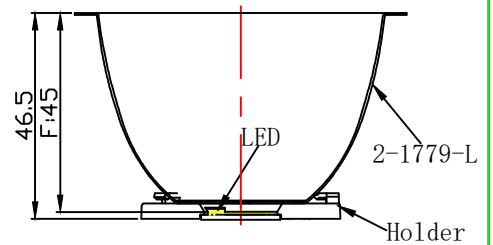


A-A



|                |                 |
|----------------|-----------------|
| Light Source   | CREE CXA1820    |
| PlasticHolder  | 92. 70. 129. 00 |
| Metal Adaptor  |                 |
| Design Angle   | 38° ±3°         |
| Measured Angle | 37.4°           |
| Efficiency     |                 |

光学装配示意图



Material:T=0.4  
MIRO 98AX20

**Nata**<sup>®</sup>  
**NATA Lighting Co.,Ltd**

| Mark            | Amended Times | Amended Content |              | Signature      | Amended Date |          |
|-----------------|---------------|-----------------|--------------|----------------|--------------|----------|
| Control Version | A0            | Design Version  | K0           | Client Version |              |          |
| Designer        |               | Drawing by      |              | Proportion     | 1:1          |          |
| Technology      |               | Auditor         |              | View           |              |          |
| Approval        |               | Date            | 2018. 03. 16 | Page           | Total_ Page_ |          |
| Customer Item   |               |                 |              |                |              |          |
| Customer Code   |               |                 |              |                |              | NT       |
| Product Number  |               |                 |              |                |              |          |
| Product Name    |               |                 |              |                |              | 2-1779-L |