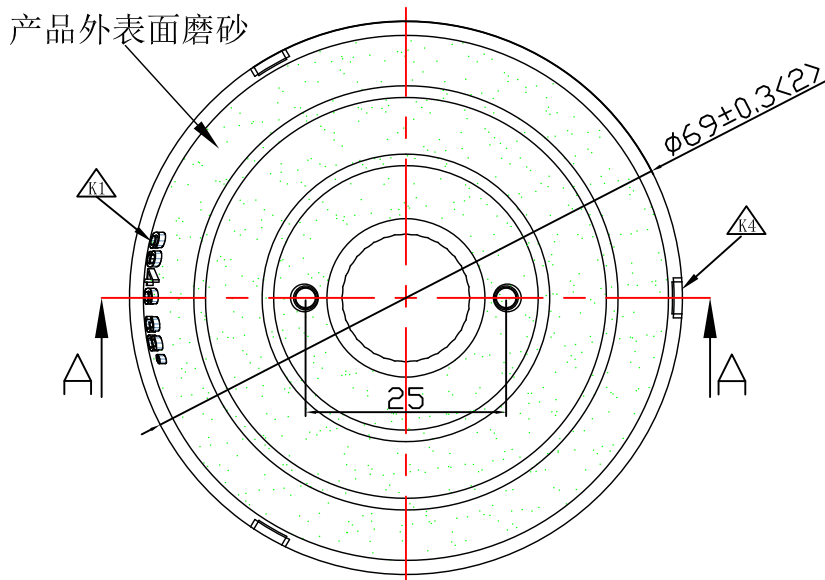
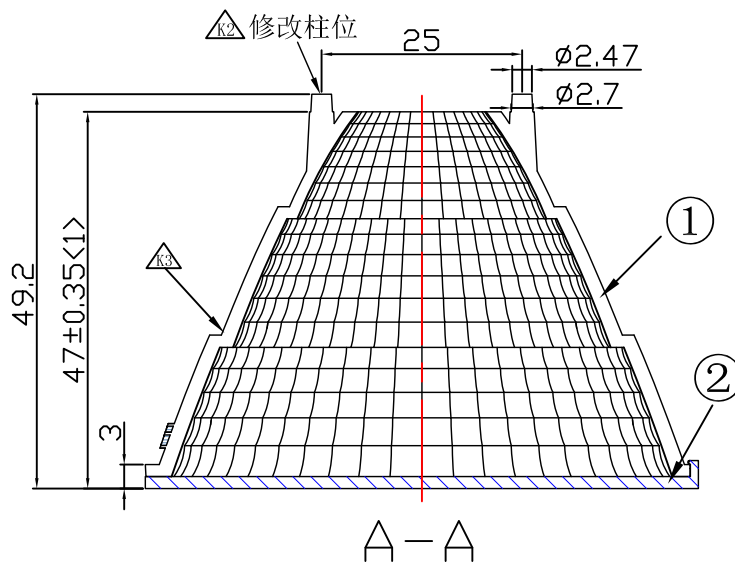
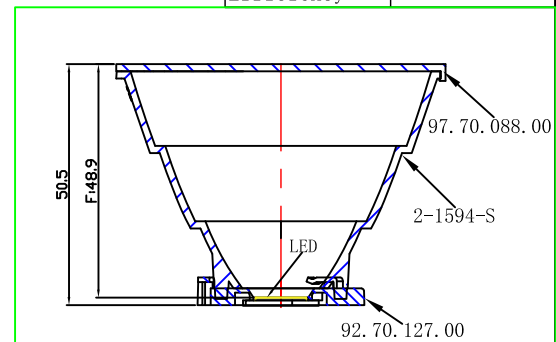


Product bill of material

Serial number	Material Name	Masterial Number	NO.	Describe
①	2-1594-S	94.02.1594.000	1	Material:PC
②	D69卡钩镜面防尘片	97.70.088.00	1	Material:PC



Light Source	CREE CXA 1512
PlasticHolder	92.70.127.00
Metal Adaptor	
Design Angle	38° ±3°
Measured Angle	37.1°
Efficiency	



△K5	1	修改所有光学面	林工	2019.12.26
△K4	1	3个缺口取消拔模斜度及更改字码	梁工	2019.5.23
△K3	2	更换支架, 修改所有光学面及更改内径尺寸	梁工	2019.4.12
△K2	1	修改柱脚	陈工	2018.5.19
△K1	1	增加字码 6946 24°	陈工	2017.9.27
Mark	Amended Times	Amended Content	Signature	Amended Date
Controll Version	A0	Design Version	K5	Client Version
Designer		Drawing by		Proportion
Technology		Auditor		View
Approval		Date	2019.12.26	Page

Engineering drawings

Nata®

Customer Item	
Customer Code	NT
Product Number	91.02.1747.000
Product Name	2-1747-N