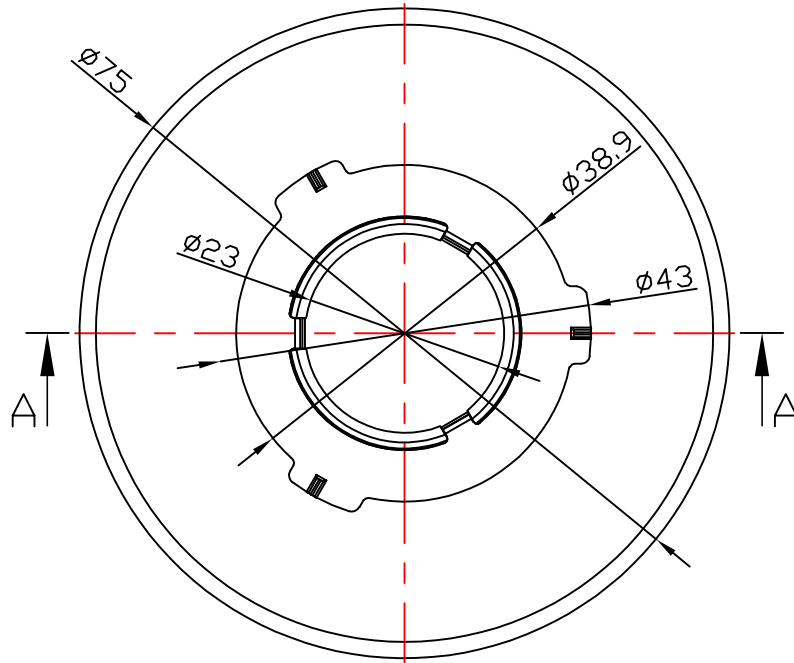
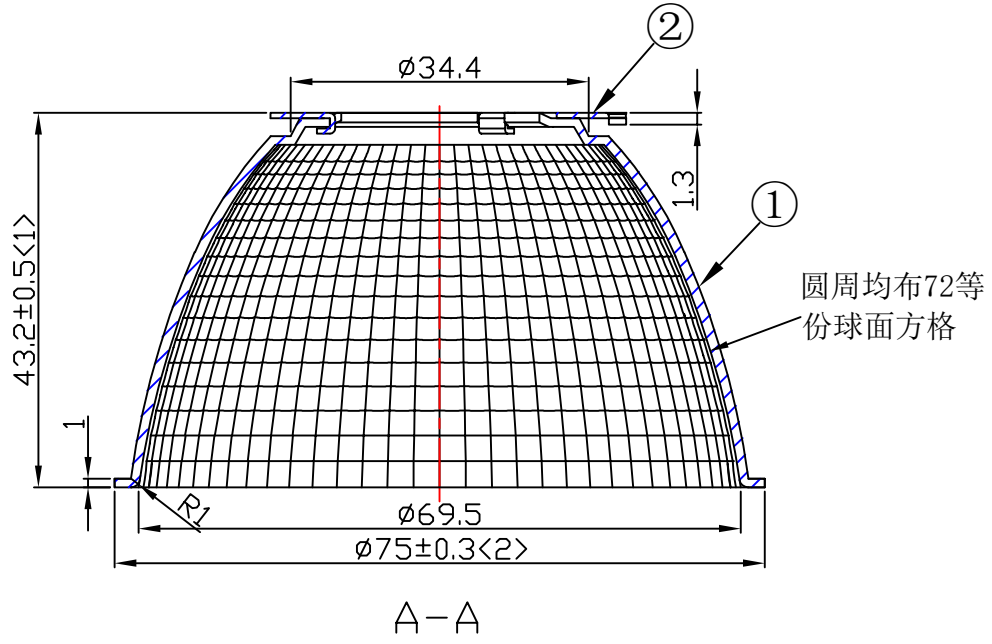


Product bill of material

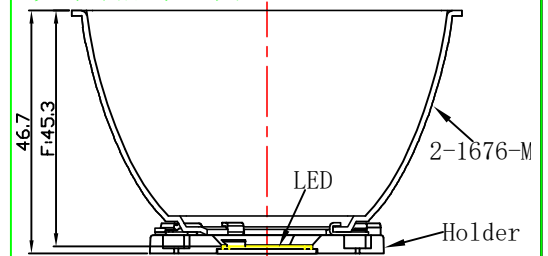
Serial number	material name	Material number	NO.	Describe
①	2-1677-A	94.02.1677.000	1	Material:T=1.0 1090AL
②	020367	97.76.368.00	1	Material:T=0.6 SUS304

table for unmentioned tolerance in the drawing (unit: mm)			punch angle tolerance in the drawing (unit:degree)		
0-5	5-30	30-120	0-10	10-50	50-120
±0.15	±0.2	±0.5	±1°	±0.5°	±0.3°
120-250	250-400	400-700	120-250	250-360	360 above
±0.8	±1.5	±2	±0.2°	±0.166°	±0.083°



Light Source	CITIZEN CLU038
PlasticHolder	92.70.131.00
Metal Adaptor	
Design Angle	35° ±3°
Measured Angle	34.7°
Efficiency	

光学装配示意图



Mark	Amended Times	Amended Content	Signature	Amended Date
Controll Version	A0	Design Version KO	Client Version	
Designer		Drawing by	Proportion	1:1
Technology		Auditor	View	
Approval		Date 2018.07.01	Page	Total Page

Nata[®]
NATA Lighting Co.,Ltd

Customer Item	
Customer Code	NT
Product Number	
Product Name	2-1676-M