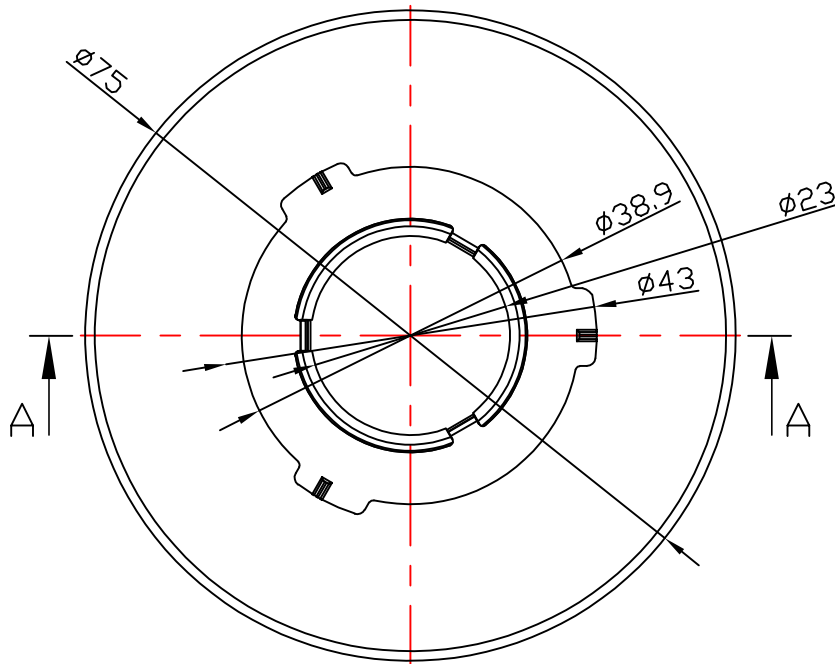
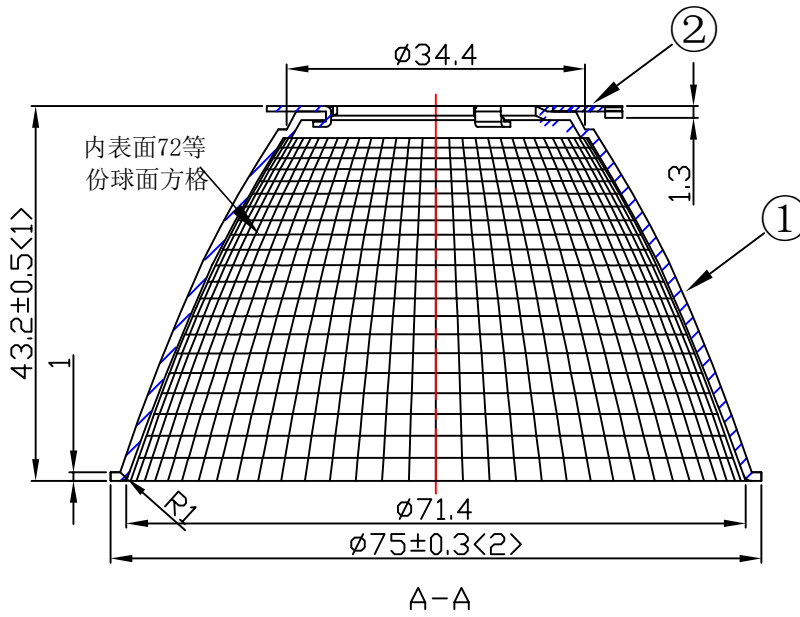


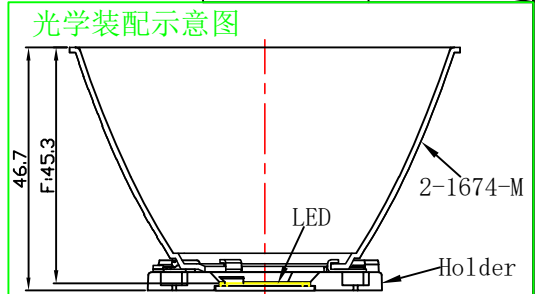
Product bill of material

Serial number	material name	Masterial number	NO.	Describe
①	2-1675-A	94.02.1675.000	1	Material:T=1.0 1090AL
②	020367	97.76.368.00	1	Material:T=0.6 SUS304

table for unmentioned tolerance in the drawing (unit: mm)			punch angle tolerance in the drawing (unit:degree)		
0-5	5-30	30-120	0-10	10-50	50-120
±0.15	±0.2	±0.5	±1°	±0.5°	±0.3°
120-250	250-400	400-700	120-250	250-360	360 above
±0.8	±1.5	±2	±0.2°	±0.166°	±0.083°



Light Source	CITIZEN CLU038
PlasticHolder	92.70.131.00
Metal Adaptor	
Design Angle	15° ±3°
Measured Angle	15.3°
Efficiency	



						 NATA Lighting Co.,Ltd	
Mark	Amended Times	Amended Content		Signature	Amended Date	Customer Code	NT
Controll Version	A0	Design Version	K0	Client Version		Product Number	
Designer		Drawing by		Proportion	1:1	Product Name	2-1674-M
Technology		Auditor		View			
Approval		Date	2017.06.24	Page	Total_Page_		