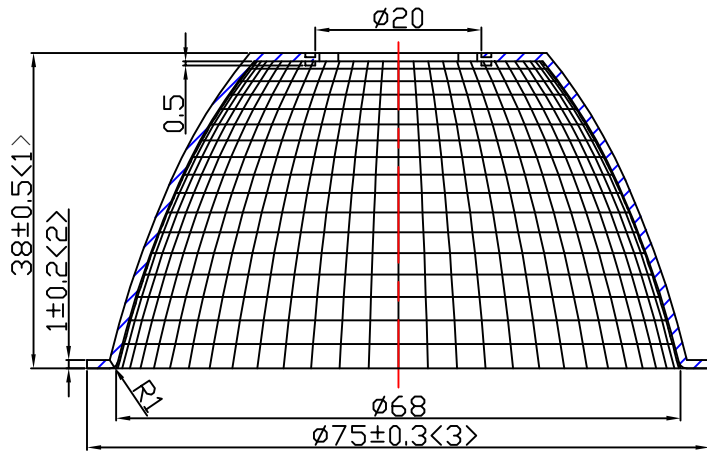
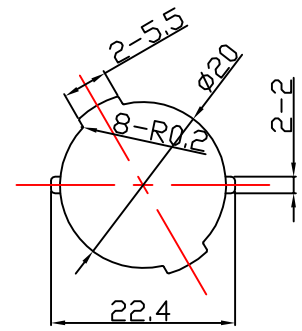


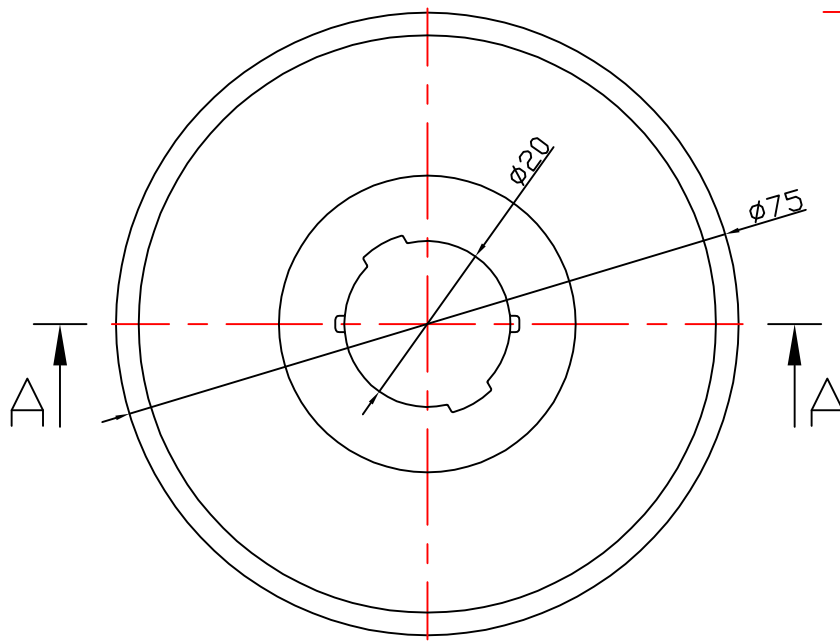
table for unmentioned tolerance in the drawing (unit: mm)			punch angle tolerance in the drawing (unit:degree)		
0-5	5-30	30-120	0-10	10-50	50-120
±0.15	±0.2	±0.5	±1°	±0.5°	±0.3°
120-250	250-400	400-700	120-250	250-360	360 abov.
±0.8	±1.5	±2	±0.2°	±0.166°	±0.083°



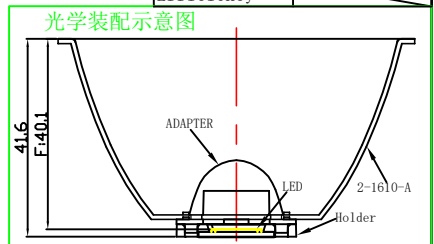
A-A



底孔视图 1:1



Light Source	CREE CXA1512 LES8.9
PlasticHolder	92.70.046.00
Metal Adaptor	
ADAPTER	92.70.147.00
Design Angle	24° ±3°
Measured Angle	25.9°
Efficiency	



Material:T=1.0  
1090AL

**Nata**<sup>®</sup>  
**NATA Lighting Co.,Ltd**

Mark	Amended Times	Amended Content	Signature	Amended Date
Controll Version	AO	Design Version KO	Client Version	
Designer		Drawing by	Proportion 1:1	
Technology		Auditor	View	
Approval		Date 2018.11.23	Page	Total Page

Customer Item	
Customer Code	NT
Product Number	
Product Name	2-1610-A