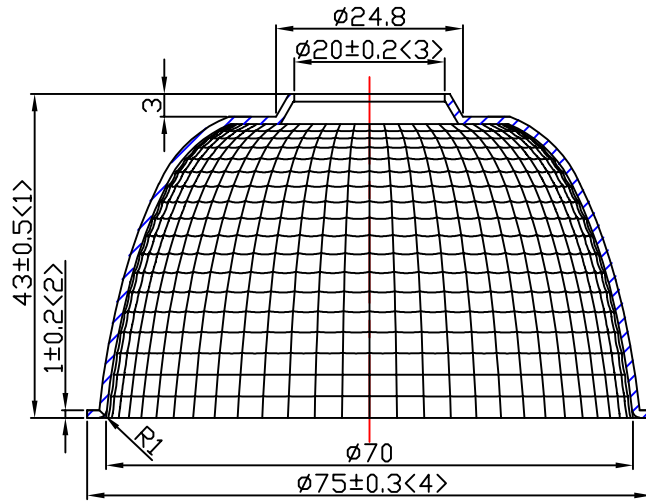
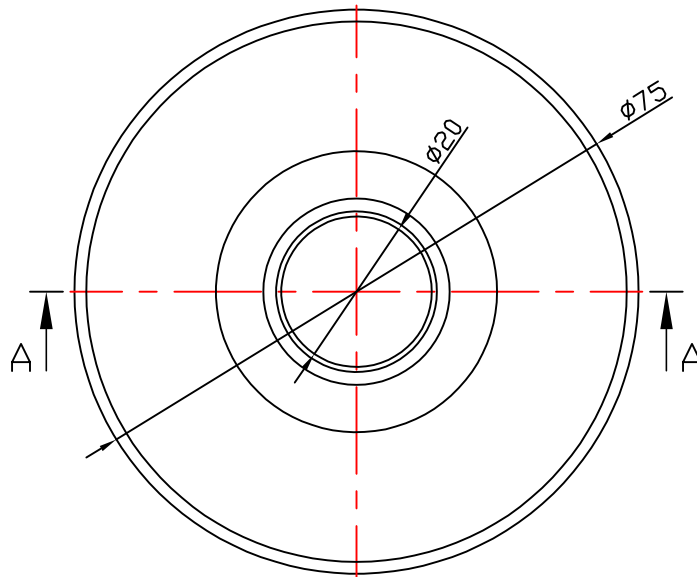


table for unmentioned tolerance in the drawing (unit: mm)			punch angle tolerance in the drawing (unit:degree)		
0-5	5-30	30-120	0-10°	10-50°	50-120°
±0.15	±0.2	±0.5	±1°	±0.5°	±0.3°
120-250	250-400	400-700	120-250	250-360	360 above
±0.8	±1.5	±2	±0.2°	±0.166°	±0.083°



A - A



Light Source	OSRAM PL-CORE-Z6-MINI-3000 LES13
PlasticHolder	
Metal Adaptor	
Design Angle	$60^\circ \pm 5^\circ$
Measured Angle	$63.7^\circ$
Efficiency	

Material:T=1.0  
1090AL

**Nata**<sup>®</sup>  
**NATA Lighting Co.,Ltd**

Mark	Amended Times	Amended Content		Signature	Amended Date	Customer Item	Customer Code	Product Number	Product Name	
Controll Version	AO	Design Version	KO	Client Version						NT
Designer		Drawing by		Proportion	1:1					
Technology		Auditor		View						
Approval		Date	2018.02.07	Page	Total Page_					