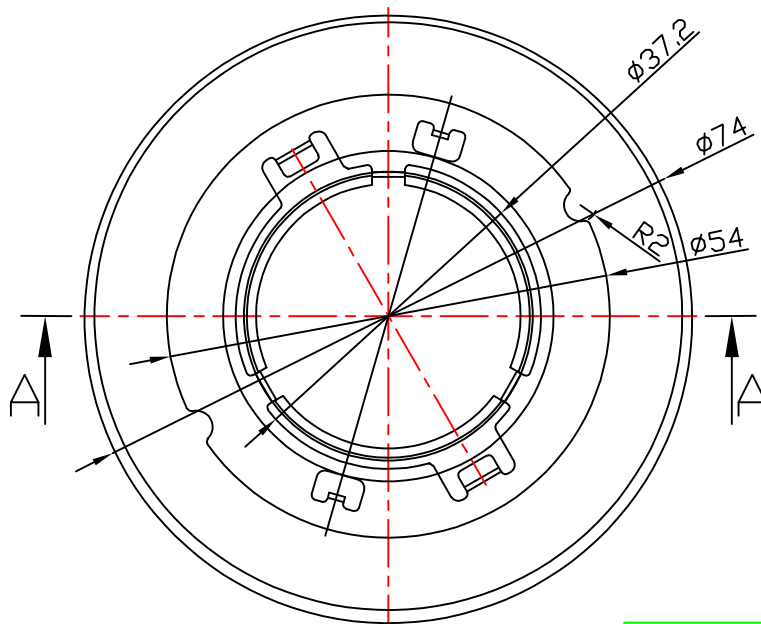
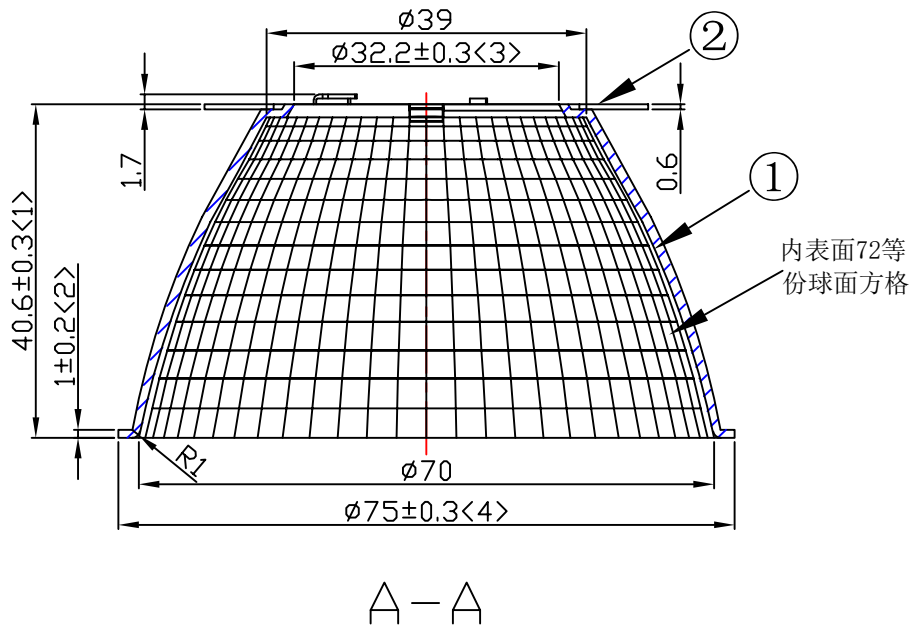
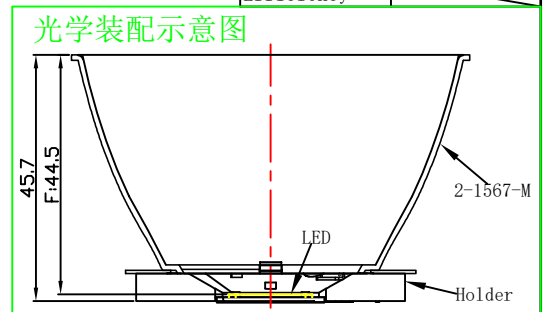


| Product bill of material | | | | |
|--------------------------|---------------|------------------|-----|-------------------------|
| Serial number | material name | Masterial number | NO. | Describe |
| ① | 2-1578-A | 94.02.1578.000 | 1 | Material:T=1.0mm 1090AL |
| ② | 020360 | 97.76.360.00 | 1 | Material:T=0.6mm SUS304 |

| table for unmentioned tolerance in the drawing (unit: mm) | | | punch angle tolerance in the drawing (unit:degree) | | |
|---|---------|---------|--|---------|-----------|
| 0-5 | 5-30 | 30-120 | 0-10 | 10-50 | 50-120 |
| ±0.15 | ±0.2 | ±0.5 | ±1° | ±0.5° | ±0.3° |
| 120-250 | 250-400 | 400-700 | 120-250 | 250-360 | 360 above |
| ±0.8 | ±1.5 | ±2 | ±0.2° | ±0.166° | ±0.083° |



| | |
|----------------|--------------------------------|
| Light Source | LUMILEDS LUXEON CoB 1204 LES13 |
| PlasticHolder | BJB 47.319.2011 |
| Metal Adaptor | |
| Design Angle | $25^\circ \pm 3^\circ$ |
| Measured Angle | 25.8° |
| Efficiency | |



| | | | | | | | | |
|------------------|---------------|-----------------|------------|----------------|--------------------------|----------------|--|--|
| | | | | | Material:T=1.0 1090AL | | Nata [®] NATA Lighting Co.,Ltd | |
| Mark | Amended Times | Amended Content | | Signature | Amended Date | Customer Item | | |
| Controll Version | AO | Design Version | KO | Client Version | | Customer Code | NT | |
| Designer | | Drawing by | | Proportion | 1:1 | Product Number | | |
| Technology | | Auditor | | View | | Product Name | 2-1567-M | |
| Approval | | Date | 2018.07.01 | Page | Total_Page_ | | | |