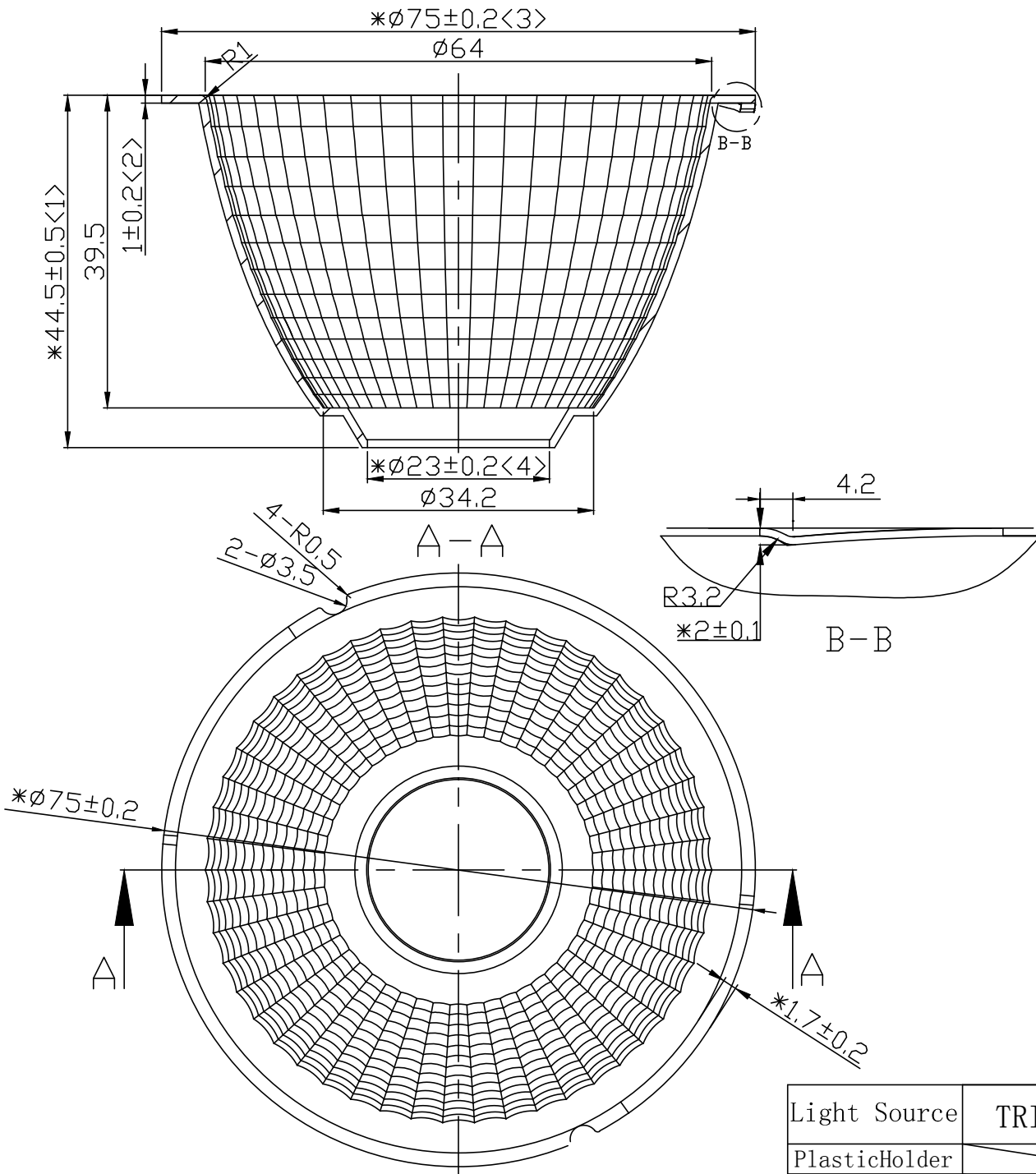


| table for unmentioned tolerance in the drawing (unit: mm) |         |         | punch angle tolerance in the drawing (unit:degree) |         |           |
|---|---------|---------|--|---------|-----------|
| 0-5   | 5-30    | 30-120  | 0-10   | 10-50   | 50-120    |
| ±0.15   | ±0.2    | ±0.5    | ±1°  | ±0.5°   | ±0.3°     |
| 120-250   | 250-400 | 400-700 | 120-250  | 250-360 | 360 above |
| ±0.8  | ±1.5    | ±2      | ±0.2°  | ±0.166° | ±0.083°   |

"<" Important size



|                |          |
|----------------|----------|
| Light Source   | TRIDONIC |
| Plastic Holder |          |
| Metal Adaptor  |          |
| Design Angle   | 36° ±3°  |
| Measured Angle | 36°      |

|                  |               |                 |            |                |                       |  |                |                                 |                |  |
|------------------|---------------|-----------------|------------|----------------|-----------------------|--|----------------|---------------------------------|----------------|--|
|                  |               |                 |            |                | Material:T=1.0 1090AL |  |                | <b>Nata</b> ® Lighting Co., Ltd |                |  |
| Mark             | Amended Times | Amended Content |            | Signature      | Amended Date          |  | Customer Item  |                                 |                |  |
| Controll Version | A0            | Design Version  | K0         | Client Version | 1:1                   |  | Customer Code  |                                 | SDN            |  |
| Designer         | C             | Drawing by      |            | Proportion     | 1:1                   |  | Product Number |                                 | 91.02.1535.000 |  |
| Technology       |               | Auditor         |            | View           |                       |  | Product Name   |                                 | 2-1535-E       |  |
| Approval         |               | Date            | 2018.11.05 | Page           | Total_Page_           |  |                |                                 |                |  |