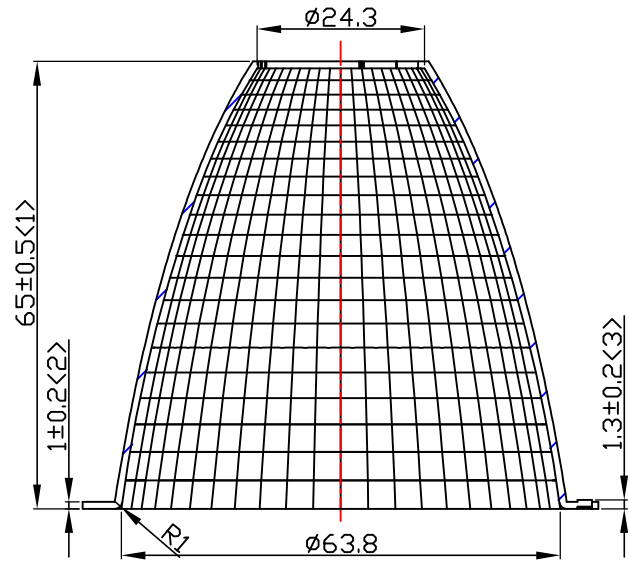
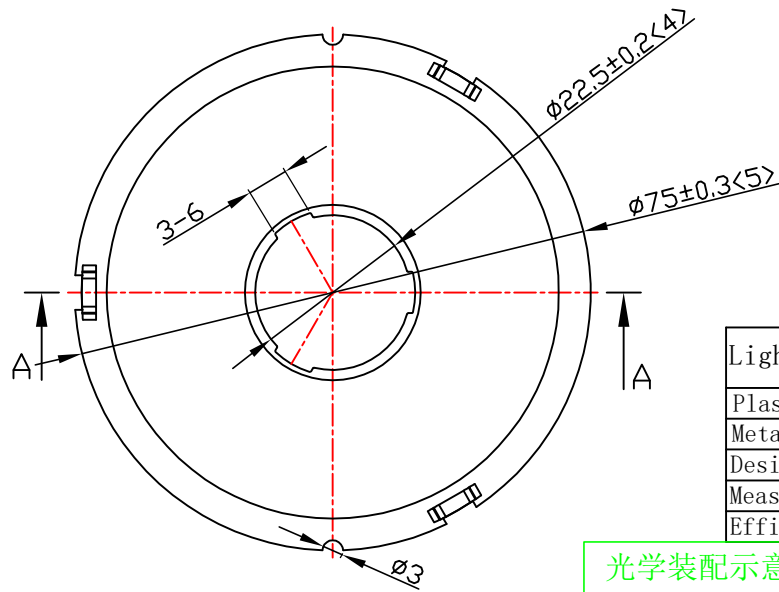


table for unmentioned tolerance in the drawing (unit: mm)			punch angle tolerance in the drawing (unit: degree)		
0-5	5-30	30-120	0-10	10-50	50-120
±0.15	±0.2	±0.5	±1°	±0.5°	±0.3°
120-250	250-400	400-700	120-250	250-360	360 above
±0.8	±1.5	±2	±0.2°	±0.166°	±0.083°

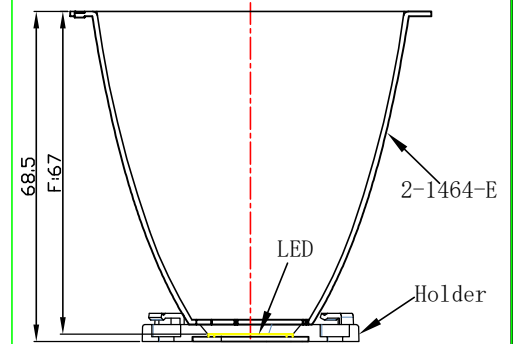


A-A



Light Source	LUXEON CoB 1208 LES15
PlasticHolder	92.70.135.00
Metal Adaptor	
Design Angle	$25^\circ \pm 3^\circ$
Measured Angle	26.6°
Efficiency	

光学装配示意图



				Material:T=1.0		 NATA Lighting Co.,Ltd	
				1090AL			
Mark	Amended Times	Amended Content		Signature	Amended Date		
Control Version	A0	Design Version	K0	Client Version			
Designer		Drawing by		Proportion	1:1		
Technology		Auditor		View			
Approval		Date	2019.04.24	Page	Total Page	Customer Item	
						Customer Code	NT
						Product Number	
						Product Name	2-1464-E