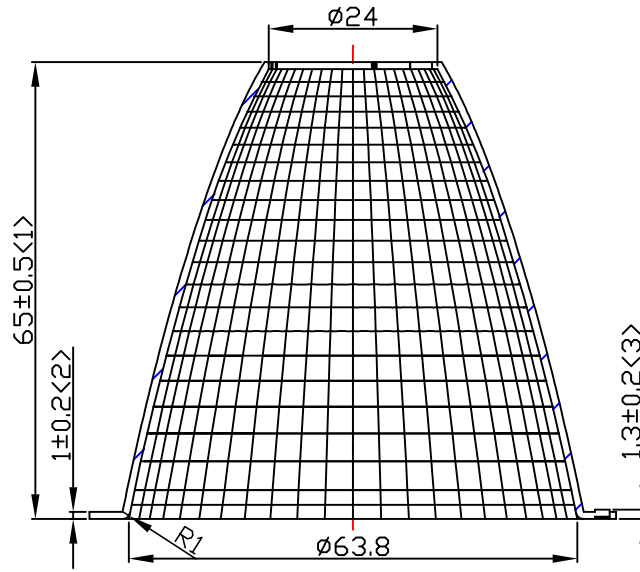
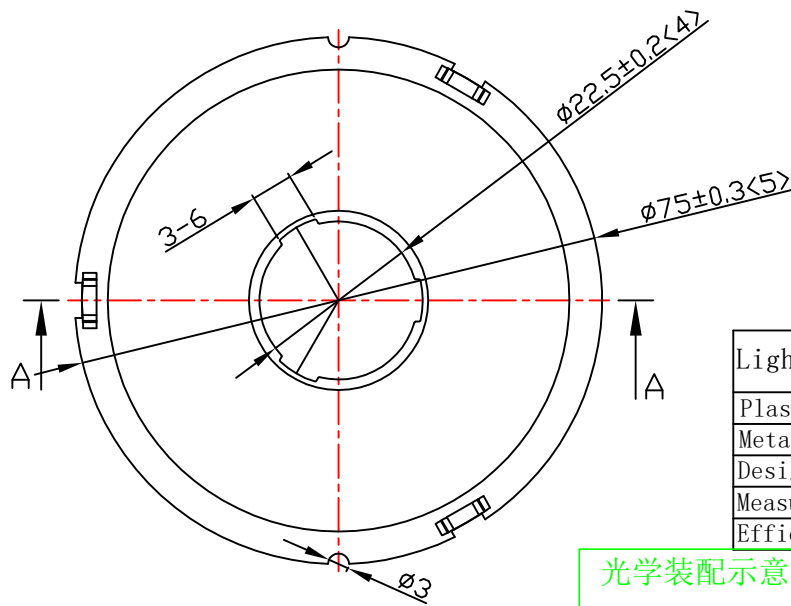


| table for unmentioned tolerance in the drawing (unit: mm) | | | punch angle tolerance in the drawing (unit: degree) | | |
|---|---------|---------|---|---------|-----------|
| 0-5 | 5-30 | 30-120 | 0-10 | 10-50 | 50-120 |
| ±0.15 | ±0.2 | ±0.5 | ±1° | ±0.5° | ±0.3° |
| 120-250 | 250-400 | 400-700 | 120-250 | 250-360 | 360 above |
| ±0.8 | ±1.5 | ±2 | ±0.2° | ±0.166° | ±0.083° |

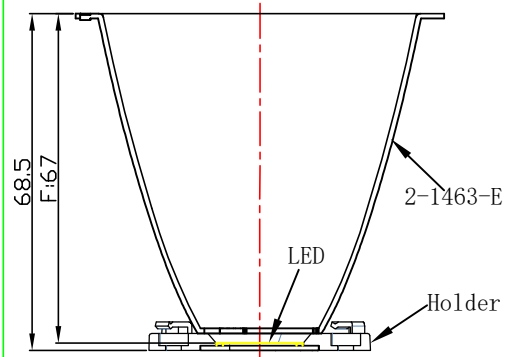


A-A



| | |
|----------------|------------------------|
| Light Source | LUXEON CoB 1208 LES15 |
| PlasticHolder | 92. 70. 135. 00 |
| Metal Adaptor | |
| Design Angle | $18^\circ \pm 3^\circ$ |
| Measured Angle | 18.1° |
| Efficiency | |

光学装配示意图



Material:T=1.0
1090AL

Nata[®]
NATA Lighting Co.,Ltd

| Mark | Amended Times | Amended Content | | Signature | Amended Date |
|------------------|---------------|-----------------|--------------|----------------|--------------|
| Controll Version | AO | Design Version | KO | Client Version | |
| Designer | | Drawing by | | Proportion | 1:1 |
| Technology | | Auditor | | View | |
| Approval | | Date | 2019. 04. 24 | Page | Total_ Page_ |

| | |
|----------------|----------|
| Customer Item | |
| Customer Code | NT |
| Product Number | |
| Product Name | 2-1463-E |