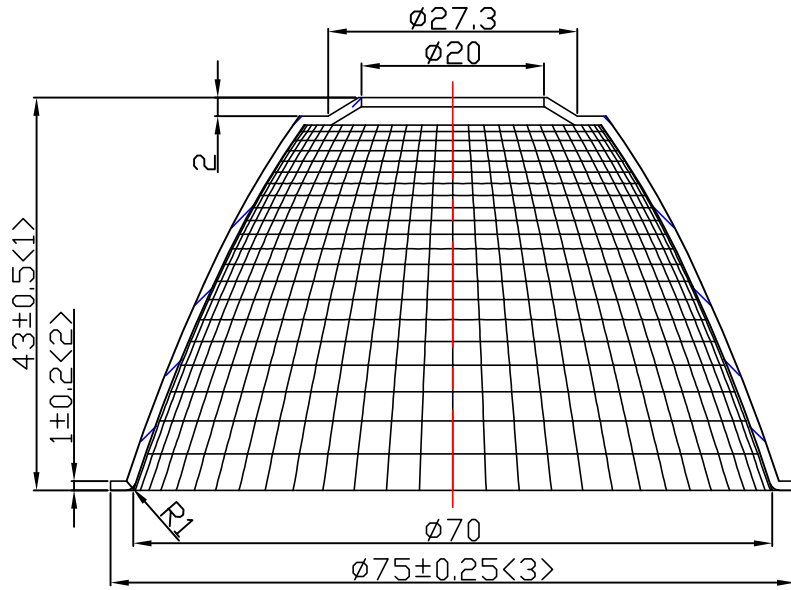
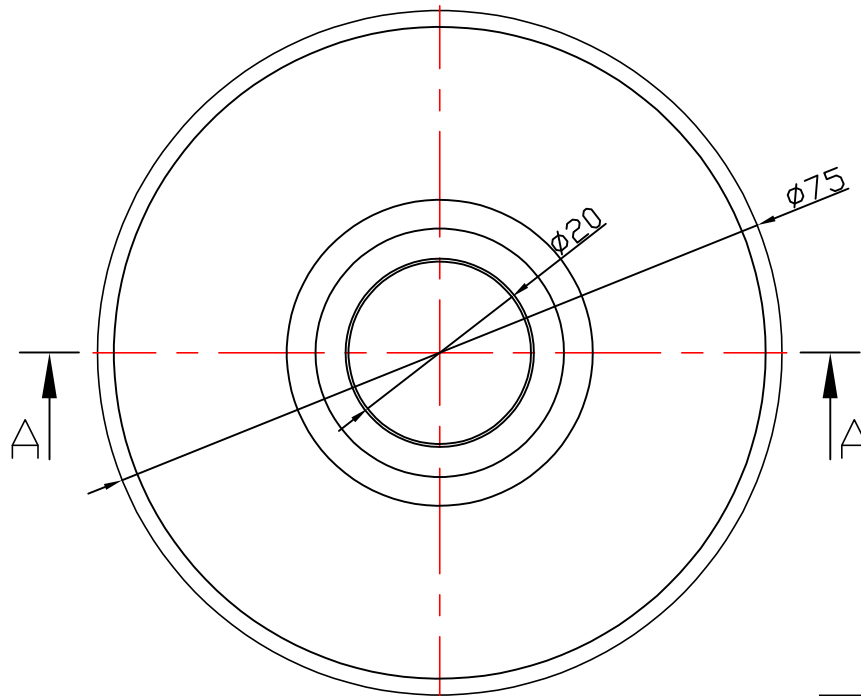


table for unmentioned tolerance in the drawing (unit: mm)			punch angle tolerance in the drawing (unit:degree)		
0-5	5-30	30-120	0-10	10-50	50-120
±0.15	±0.2	±0.5	±1°	±0.5°	±0.3°
120-250	250-400	400-700	120-250	250-360	360 above
±0.8	±1.5	±2	±0.2°	±0.166°	±0.083°



A - A



Light Source	ParagonLED CBAC-88-36185 22W LES18.5
PlasticHolder	H48185AC
Metal Adaptor	
Design Angle	18° ±3°
Measured Angle	17.3°
Efficiency	

						Material:T=1.0 1090AL				Nata [®] NATA Lighting Co.,Ltd		
												Customer Item
Mark	Amended Times	Amended Content			Signature	Amended Date					Customer Code	NT
Controll Version	AO	Design Version	KO	Client Version	Proportion	1:1					Product Number	
Designer		Drawing by		View						Product Name	2-1429-E	
Technology		Auditor		Page	Total_Page_							
Approval		Date	2018.07.11									