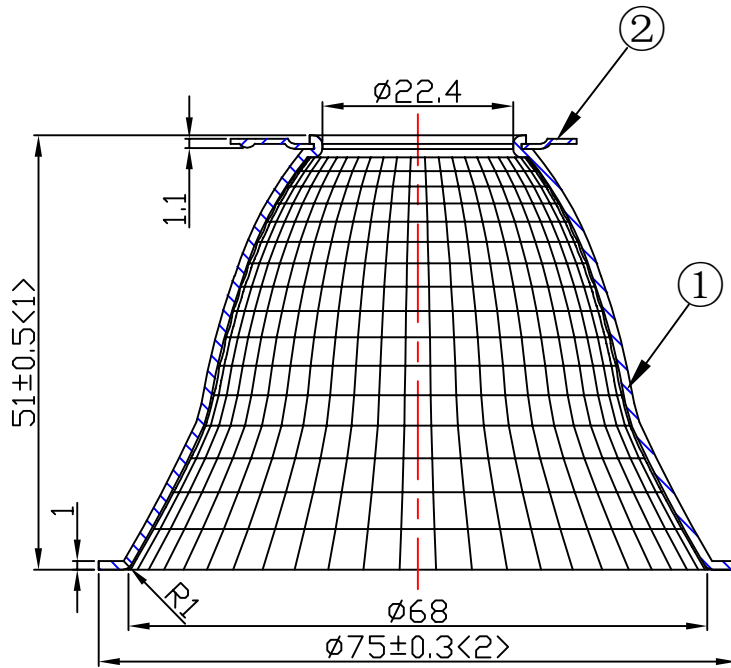
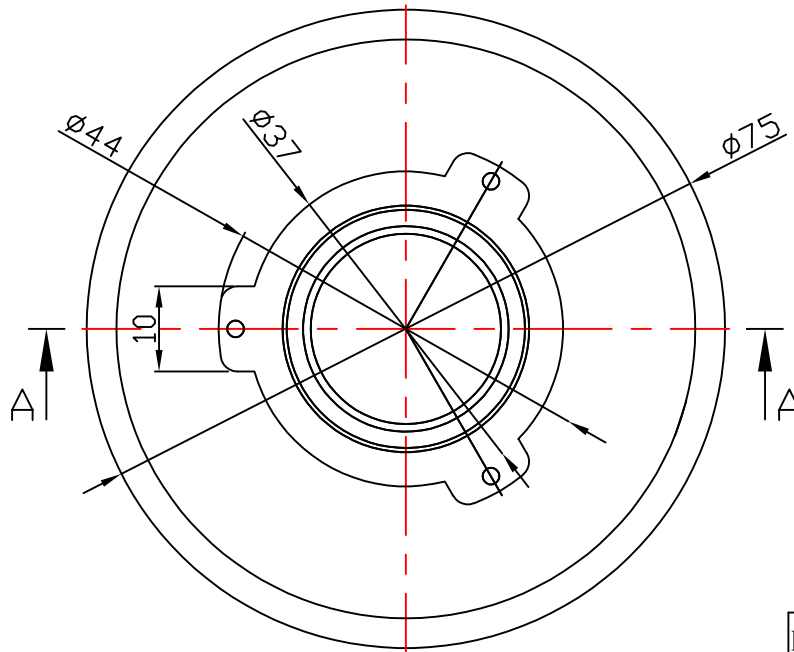


| Product bill of material |               |                  |     |                         |
|--------------------------|---------------|------------------|-----|-------------------------|
| Serial number            | material name | Masterial number | NO. | Describe                |
| ①                        | 2-1855-A      | 94.02.1855.000   | 1   | Material:T=1.0mm 1090AL |
| ②                        | 020249        | 97.76.249.00     | 1   | Material:T=0.6mm SUS304 |

| table for unmentioned tolerance in the drawing (unit: mm) |         |         | punch angle tolerance in the drawing (unit:degree) |         |           |
|---|---------|---------|--|---------|-----------|
| 0-5   | 5-30    | 30-120  | 0-10   | 10-50   | 50-120    |
| ±0.15   | ±0.2    | ±0.5    | ±1°  | ±0.5°   | ±0.3°     |
| 120-250   | 250-400 | 400-700 | 120-250  | 250-360 | 360 above |
| ±0.8  | ±1.5    | ±2      | ±0.2°  | ±0.166° | ±0.083°   |



A-A



|                |                        |
|----------------|------------------------|
| Light Source   | XICATO XTM<br>19MM LES |
| PlasticHolder  |                        |
| Metal Adaptor  |                        |
| Design Angle   | 45° ±5°                |
| Measured Angle | 44.1°                  |
| Efficiency     |                        |

| Mark             | Amended Times | Amended Content |           | Signature      | Amended Date |
|------------------|---------------|-----------------|-----------|----------------|--------------|
| Controll Version | A1            | Design Version  | K0        | Client Version |              |
| Designer         |               | Drawing by      |           | Proportion     | 1:1          |
| Technology       |               | Auditor         |           | View           |              |
| Approval         |               | Date            | 2018.1.11 | Page           | Total_Page_  |

**Nata**<sup>®</sup>  
**NATA Lighting Co.,Ltd**

|                |          |
|----------------|----------|
| Customer Item  |          |
| Customer Code  | NT       |
| Product Number |          |
| Product Name   | 2-1133-M |