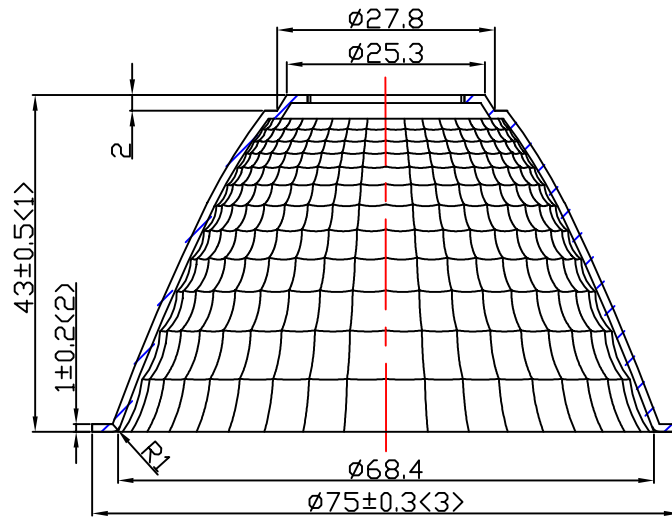
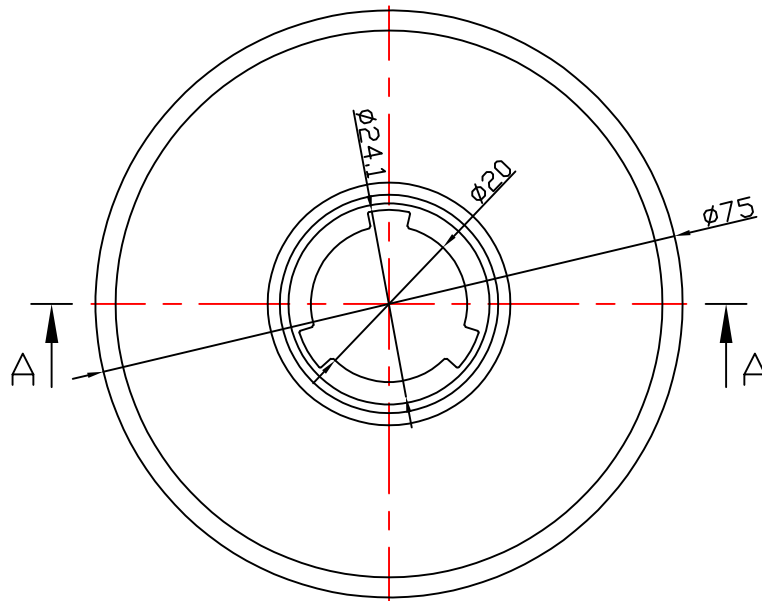


table for unmentioned tolerance in the drawing (unit: mm)			punch angle tolerance in the drawing (unit:degree)		
0-5	5-30	30-120	0-10	10-50	50-120
±0.15	±0.2	±0.5	±1°	±0.5°	±0.3°
120-250	250-400	400-700	120-250	250-360	360 above
±0.8	±1.5	±2	±0.2°	±0.166°	±0.083°



A-A



Light Source	BRIDGELUX VERO18
PlasticHolder	
Metal Adaptor	92.76.263.00
Design Angle	60° ±5°
Measured Angle	51.4°
Efficiency	

				Material:T=1.0 1090AL				Nata® NATA Lighting Co.,Ltd					
								Customer Item					
								Customer Code		NT			
								Product Number					
								Product Name		2-1093-E			
Mark	Amended Times	Amended Content			Signature	Amended Date							
Controll Version	AO	Design Version	KO		Client Version								
Designer	Drawing by				Proportion	1:1							
Technology	Auditor				View								
Approval	Date		2018.03.16		Page	Total_Page_							