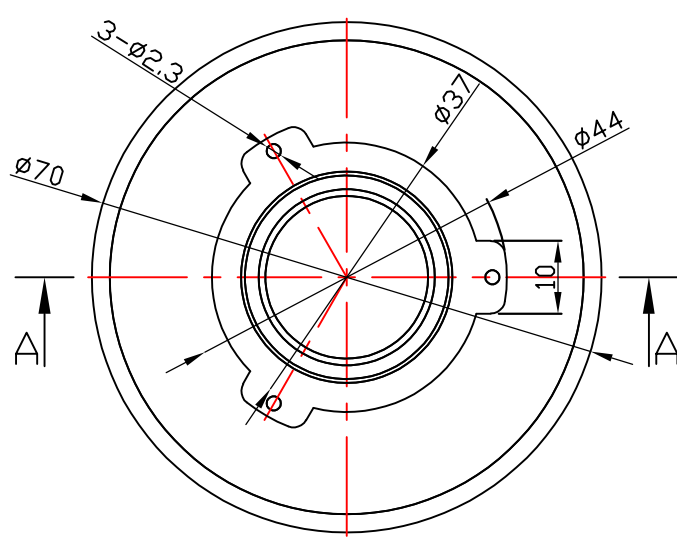
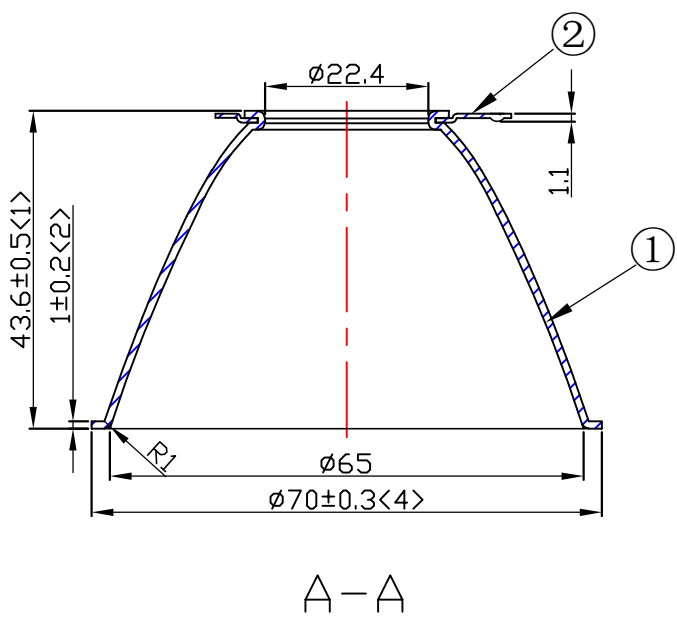
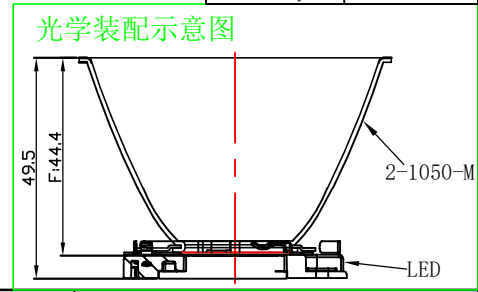


| Product bill of material | | | | |
|--------------------------|---------------|------------------|-----|-------------------------|
| Serial number | material name | Masterial number | NO. | Describe |
| ① | 2-1849-A | 94.02.1849.000 | 1 | Material:T=1.0mm 1090AL |
| ② | 020249 | 97.76.249.00 | 1 | Material:T=0.6mm SUS304 |

| table for unmentioned tolerance in the drawing (unit: mm) | | | punch angle tolerance in the drawing (unit:degree) | | |
|---|---------|---------|--|---------|-----------|
| 0-5 | 5-30 | 30-120 | 0-10 | 10-50 | 50-120 |
| ±0.15 | ±0.2 | ±0.5 | ±1° | ±0.5° | ±0.3° |
| 120-250 | 250-400 | 400-700 | 120-250 | 250-360 | 360 above |
| ±0.8 | ±1.5 | ±2 | ±0.2° | ±0.166° | ±0.083° |



| | |
|----------------|------------------------|
| Light Source | XICATO XTM LES 19mm |
| PlasticHolder | |
| Metal Adaptor | |
| Design Angle | 18° ±5° |
| Measured Angle | 18.6° |
| Efficiency | |



| Mark | Amended Times | Amended Content | | Signature | Amended Date |
|------------------|---------------|-----------------|------------|----------------|--------------|
| Controll Version | B1 | Design Version | K0 | Client Version | |
| Designer | | Drawing by | | Proportion | 1:1 |
| Technology | | Auditor | | View | |
| Approval | | Date | 2018.01.10 | Page | Total Page |

Material:T=1.0
1090AL

Nata[®]
NATA Lighting Co.,Ltd

| | |
|----------------|----------|
| Customer Item | |
| Customer Code | NT |
| Product Number | |
| Product Name | 2-1050-M |