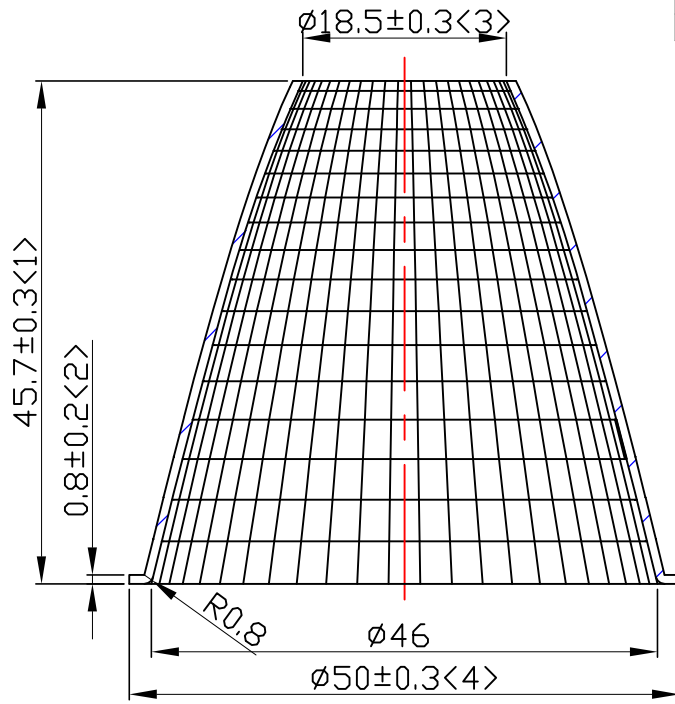
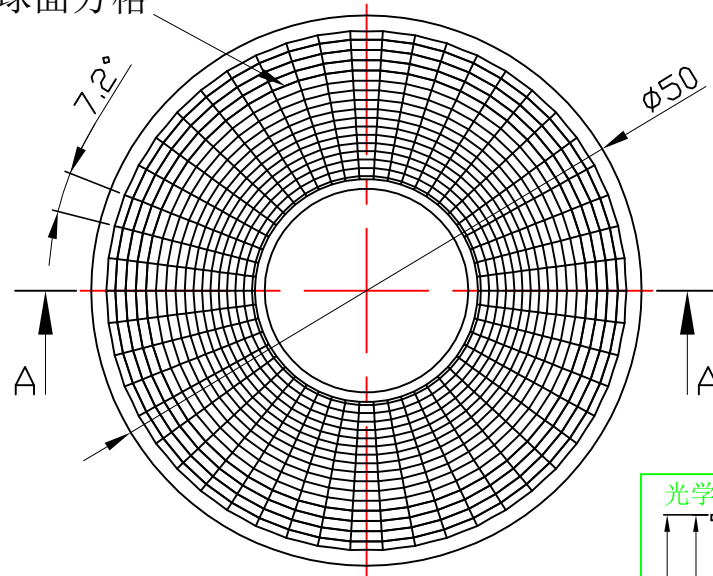


table for unmentioned tolerance in the drawing (unit: mm)			punch angle tolerance in the drawing (unit: degree)		
0-5	5-30	30-120	0-10	10-50	50-120
±0.15	±0.2	±0.5	±1°	±0.5°	±0.3°
120-250	250-400	400-700	120-250	250-360	360 above
±0.8	±1.5	±2	±0.2°	±0.166°	±0.083°



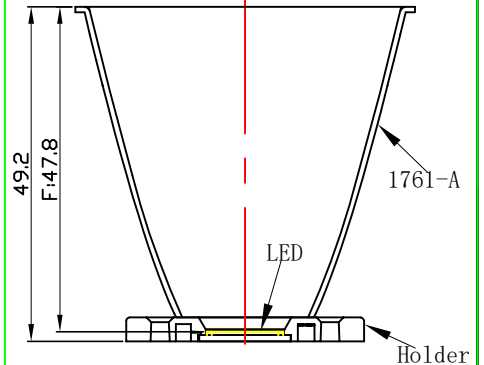
圆周均布50等份球面方格

A-A



Light Source	CLU028 LES9.8
Plastic Holder	99.02.73.171
Metal Adaptor	
Design Angle	$15^\circ \pm 3^\circ$
Measured Angle	15.6°
Efficiency	

光学装配示意图



				Material: T=0.8 1090AL		Nata [®] NATA Lighting Co., Ltd	
Mark	Amended Times	Amended Content		Signature	Amended Date	Customer Item	
Controll Version	A0	Design Version	K0	Client Version		Customer Code	NT
Designer		Drawing by		Proportion	1:1	Product Number	
Technology		Auditor		View		Product Name	1761-A
Approval		Date	2018.03.16	Page	Total_Page_		