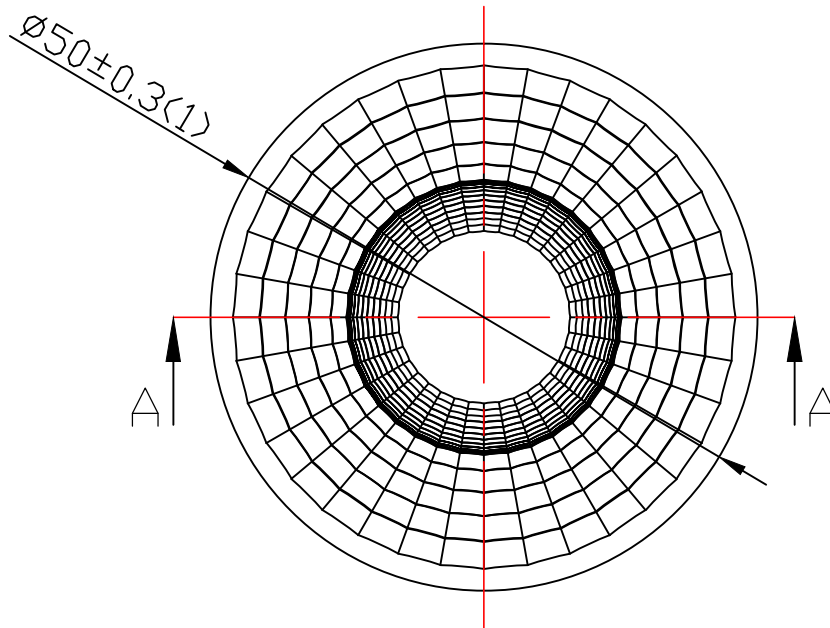
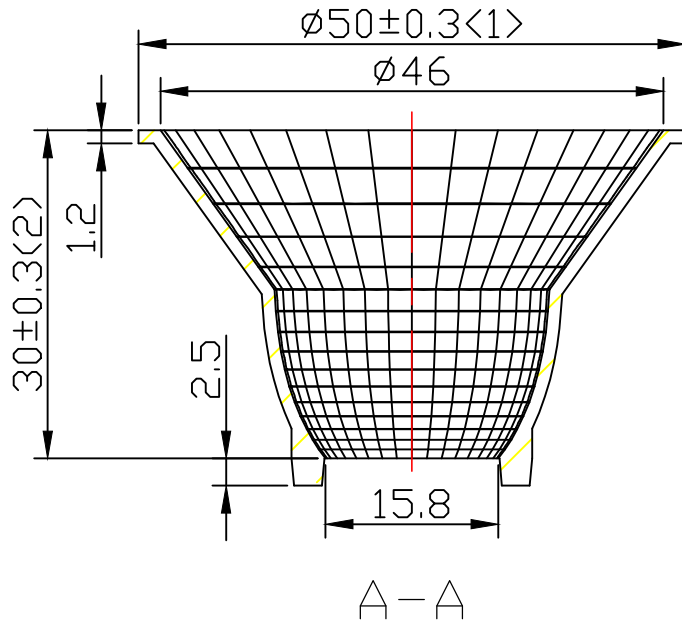


table for unmentioned tolerance in the drawing (unit: mm)			punch angle tolerance in the drawing (unit: degree)		
0-5	5-30	30-120	0-10	10-50	50-120
±0.15	±0.2	±0.5	±1°	±0.5°	±0.3°
120-250	250-400	400-700	120-250	250-360	360 above
±0.8	±1.5	±2	±0.2°	±0.166°	±0.083°

"<" Important size



Light Source	CREE CXA1512
PlasticHolder lens	92.70.127.00
Design Angle	$60^\circ \pm 5^\circ$
Measured Angle	$58^\circ$

						Material: PC				Nata <sup>®</sup> Lighting Co., Ltd	
Mark	Amended Times	Amended Content		Signature	Amended Date					Customer Item	OD50mm PC Reflector
Controll Version	A0	Design Version	K0	Client Version						Customer Code	NT
Designer	JL	Drawing by		Proportion	1:1					Product Number	91.01.0681.000
Technology		Auditor		View						Product Name	1681-S
Approval		Date	2018.11.03	Page	Total_Page_						