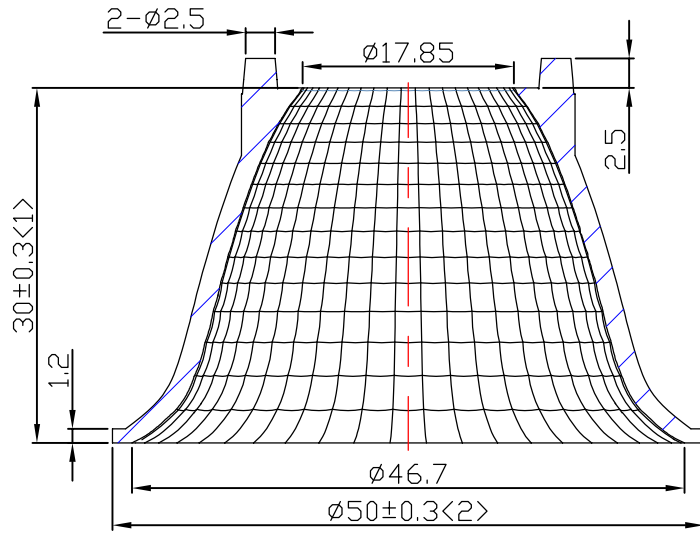
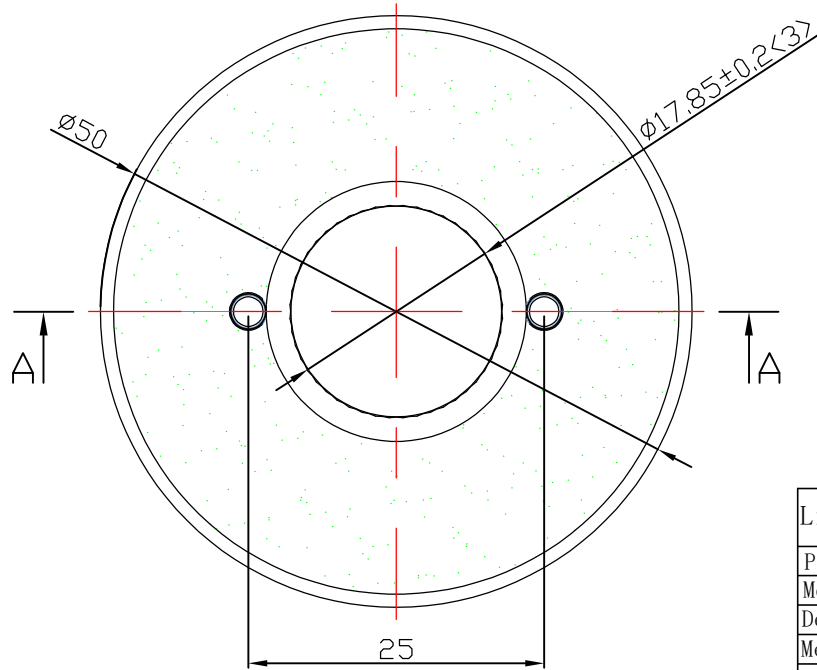


table for unmentioned tolerance in the drawing
(unit: mm)

| | | | | | |
|-------|------|--------|---------|---------|---------|
| 0-5 | 5-30 | 30-120 | 120-250 | 250-400 | 400-700 |
| ±0.15 | ±0.2 | ±0.5 | ±0.8 | ±1.5 | ±2 |

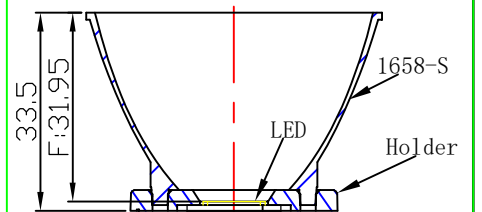


A-A



| | |
|----------------|-----------------|
| Light Source | CREE CXA1512 |
| Plastic Holder | 92.70.127.00 |
| Metal Adaptor | |
| Design Angle | 33° ± 5° |
| Measured Angle | 32.6° |
| Efficiency | |

光学装配示意图



| | | | | |
|------------------|---------------|-------------------|----------------|--------------|
| Mark | Amended Times | Amended Content | Signature | Amended Date |
| Controll Version | A1 | Design Version K0 | Client Version | |
| Designer | | Drawing by | Proportion | 1:1 |
| Technology | | Auditor | View | |
| Approval | | Date | Page | Total Page |
| | | 2018.05.09 | | |

Material:PC

Nata[®]
NATA Lighting Co.,Ltd

| | |
|----------------|--------|
| Customer Item | |
| Customer Code | NT |
| Product Number | |
| Product Name | 1658-S |