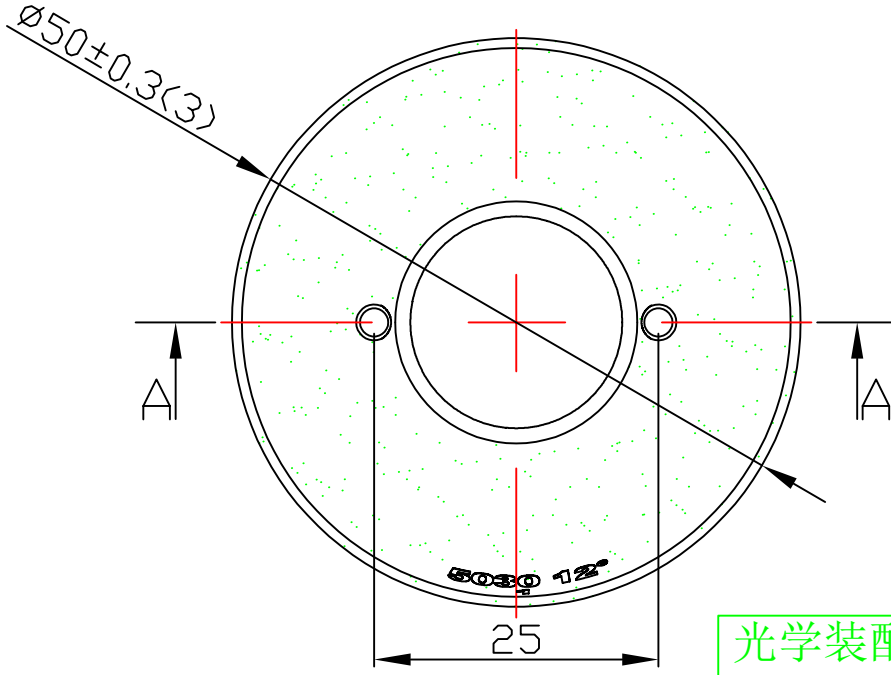
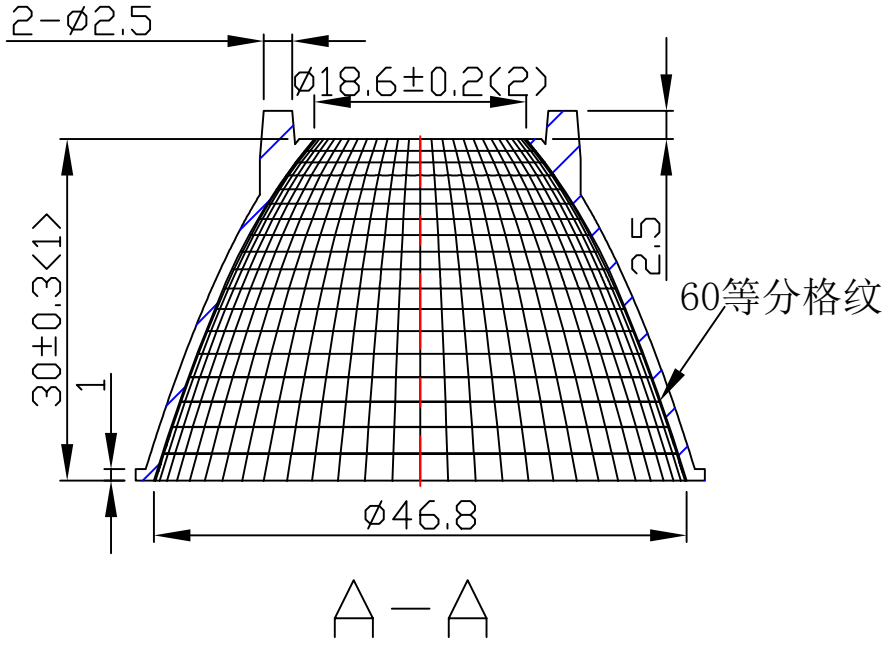
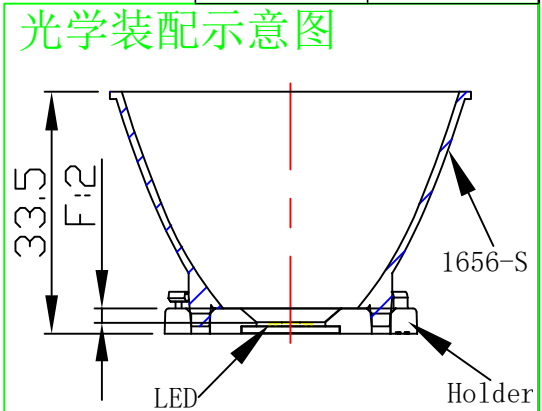


table for unmentioned tolerance in the drawing (unit: mm)					
0-5	5-30	30-120	120-250	250-400	400-700
±0.15	±0.2	±0.5	±0.8	±1.5	±2



Light Source	CITIZEN CLU7A2-1201C9 LES4.5
Plastic Holder	92.70.123.00
Metal Adaptor	
Design Angle	10° ±3°
Measured Angle	10.2°
Efficiency	



				Material:PC		Nata [®] NATA Lighting Co.,Ltd	
Mark	Amended Times	Amended Content		Signature	Amended Date	Customer Item	
Controll Version		Design Version		Client Version		Customer Code	NT
Designer		Drawing by		Proportion	1:1	Product Number	
Technology		Auditor		View		Product Name	1656-S
Approval		Date	2018.06.08	Page	Total_Page_		