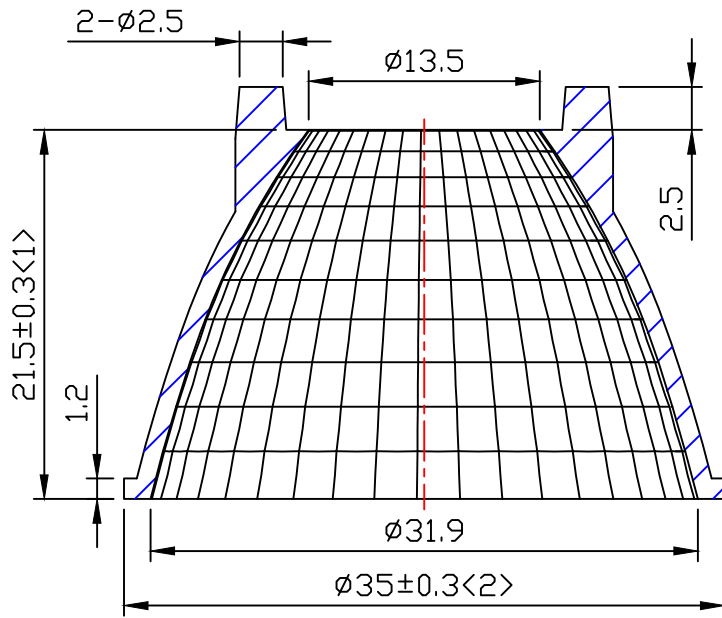
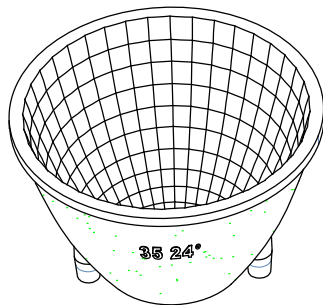
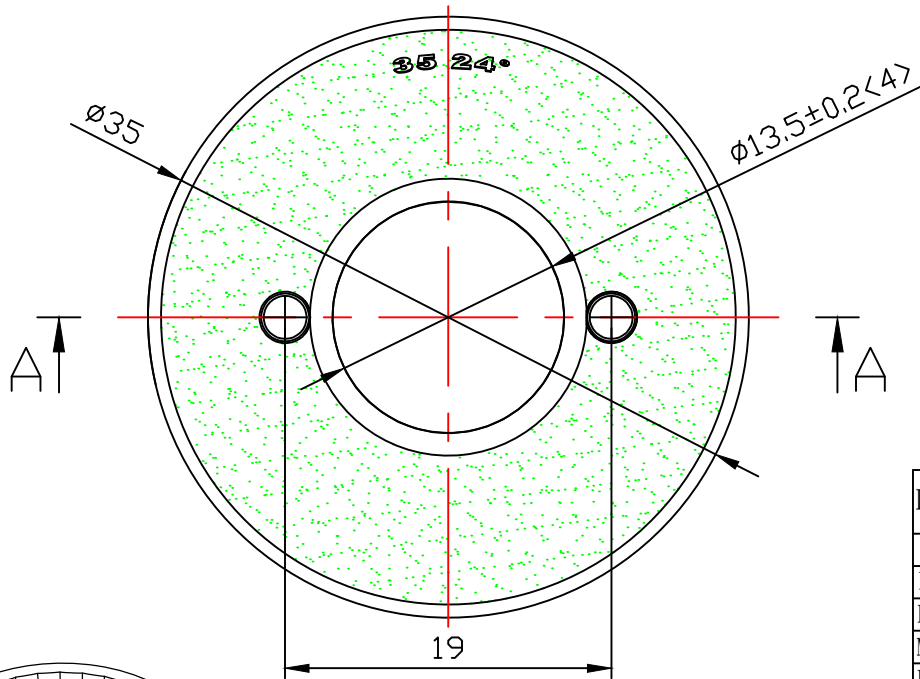


table for unmentioned tolerance in the drawing (unit: mm)					
0-5	5-30	30-120	120-250	250-400	400-700
±0.15	±0.2	±0.5	±0.8	±1.5	±2

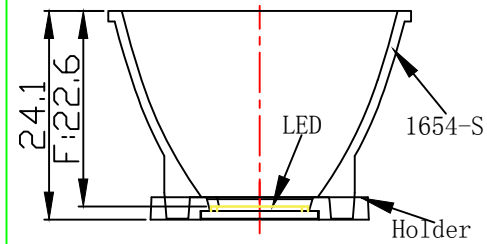


A - A



Light Source	CITIZEN CLU028
PlasticHolder	92.70.064.00
Metal Adaptor	
Design Angle	27° ±3°
Measured Angle	27°
Efficiency	

光学装配示意图



Material:PC

Nata[®]
NATA Lighting Co.,Ltd

Mark	Amended Times	Amended Content		Signature	Amended Date
Controll Version	A0	Design Version	K0	Client Version	
Designer		Drawing by		Proportion	1:1
Technology		Auditor		View	
Approval		Date	2018.05.09	Page	Total_Page_

Customer Item	
Customer Code	NT
Product Number	
Product Name	1654-S