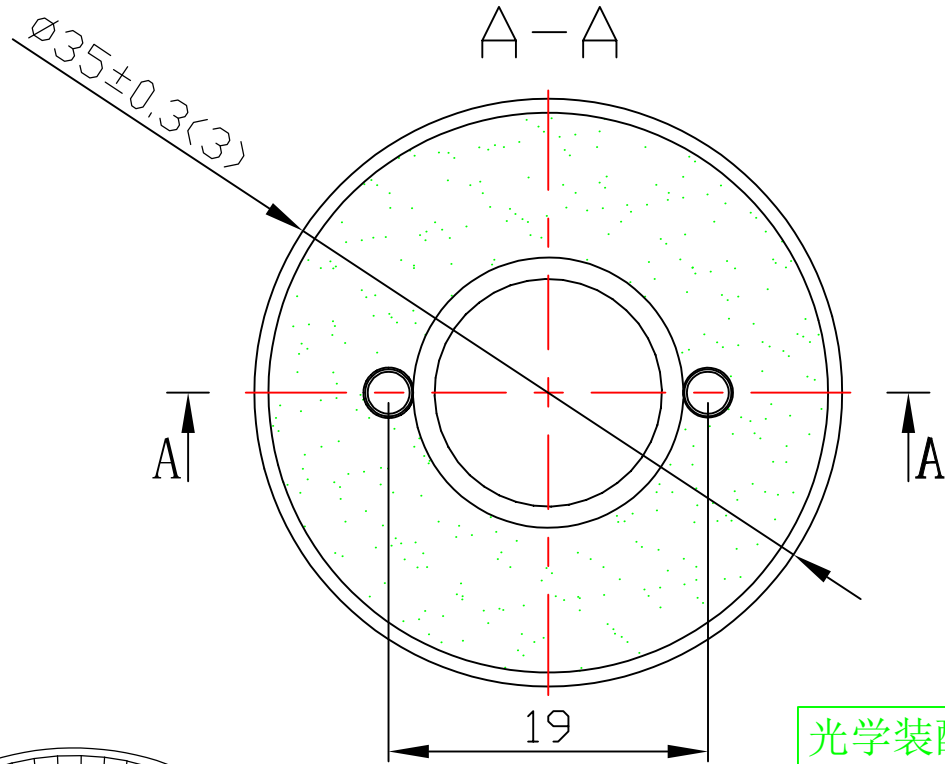
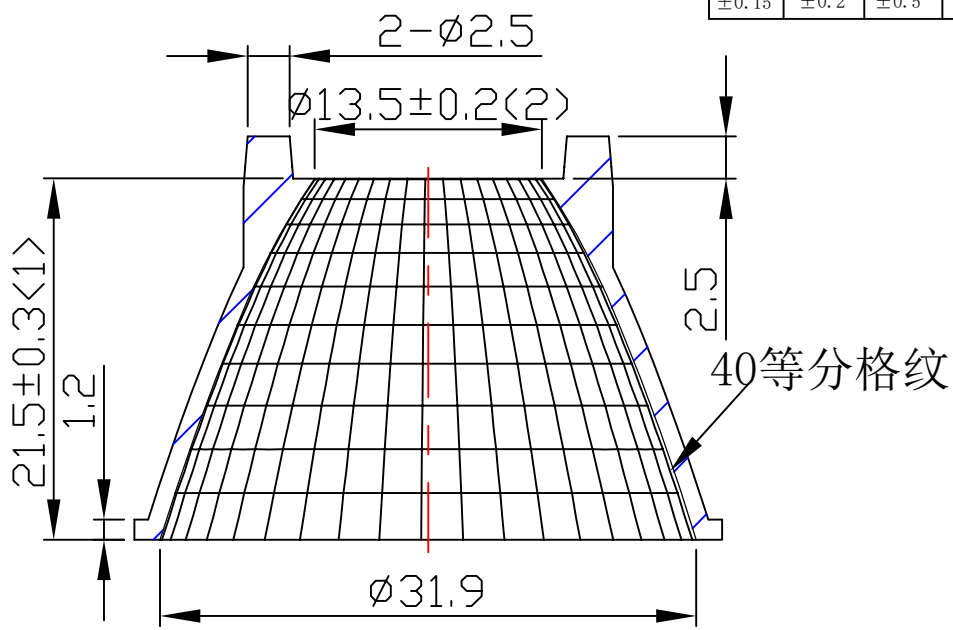
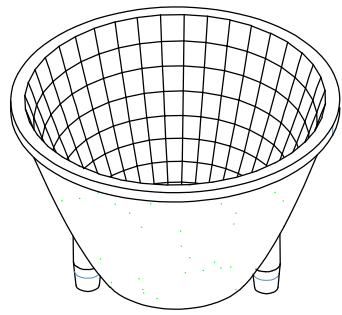
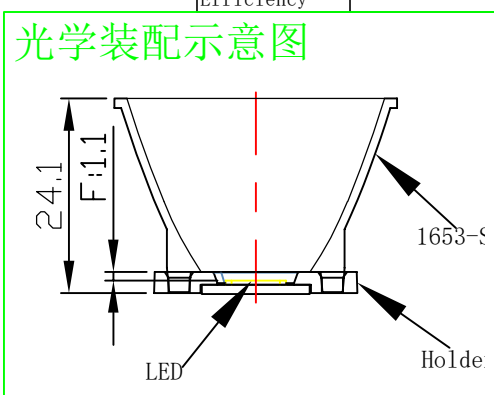


table for unmentioned tolerance in the drawing (unit: mm)					
0-5	5-30	30-120	120-250	250-400	400-700
±0.15	±0.2	±0.5	±0.8	±1.5	±2



Light Source	CITIZEN CLU7A2-1201C
PlasticHolder	92.70.043.00
Metal Adaptor	
Design Angle	12° ±3°
Measured Angle	11.7°
Efficiency	



Mark	Amended Times	Amended Content	Signature	Amended Date
Controll Version	Design Version	Designer	Client Version	Proportion 1:1
Technology	Auditor	View		
Approval	Date	2018.06.08	Page	Total Page

Material:PC

Nata[®]
NATA Lighting Co.,Ltd

Customer Item	
Customer Code	NT
Product Number	
Product Name	1653-S