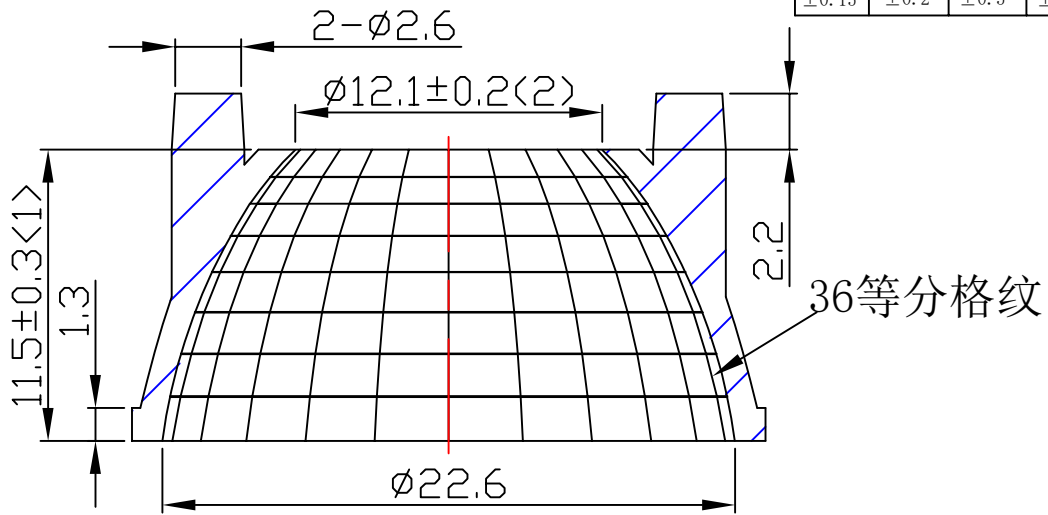
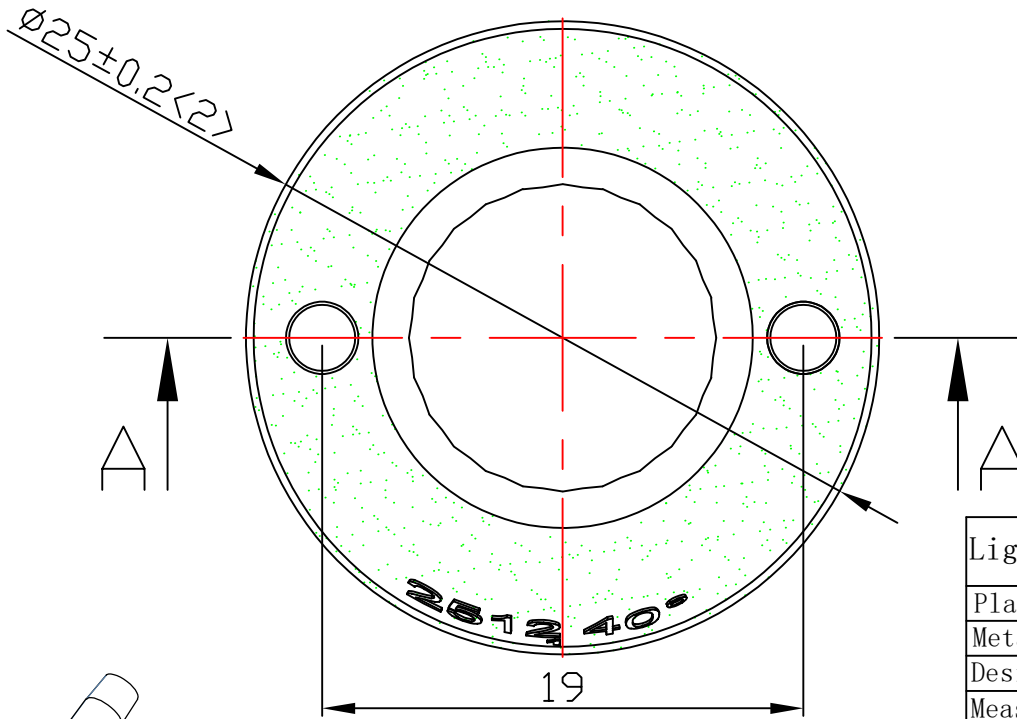


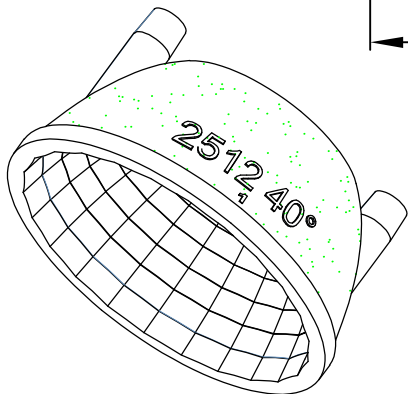
table for unmentioned tolerance in the drawing (unit: mm)					
0-5	5-30	30-120	120-250	250-400	400-700
±0.15	±0.2	±0.5	±0.8	±1.5	±2



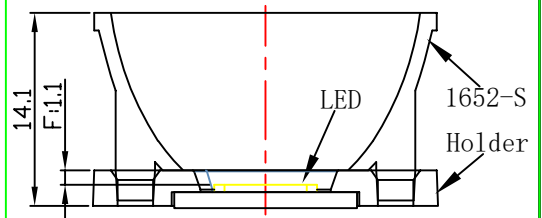
A - A



Light Source	CREE CXA 1310
Plastic Holder	92.70.043.00
Metal Adapter	
Design Angle	40° ±5°
Measured Angle	40.8°
Efficiency	89.8%



光学装配示意图



				Material: PC		Nata® NATA Lighting Co., Ltd	
Mark	Amended Times	Amended Content		Signature	Amended Date	Customer Item	
Control Version	A0	Design Version	K2	Client Version		Customer Code	NT
Designer		Drawing by		Proportion	1:1	Product Number	
Technology		Auditor		View		Product Name	1652-S
Approval		Date	2018.06.08	Page	Total Page		