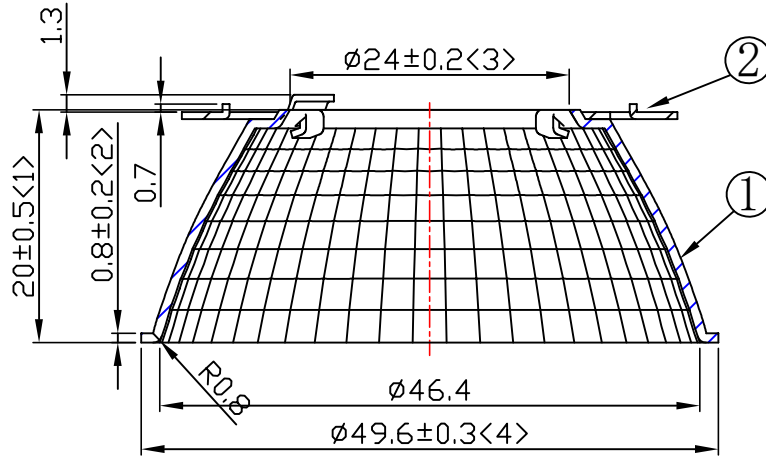
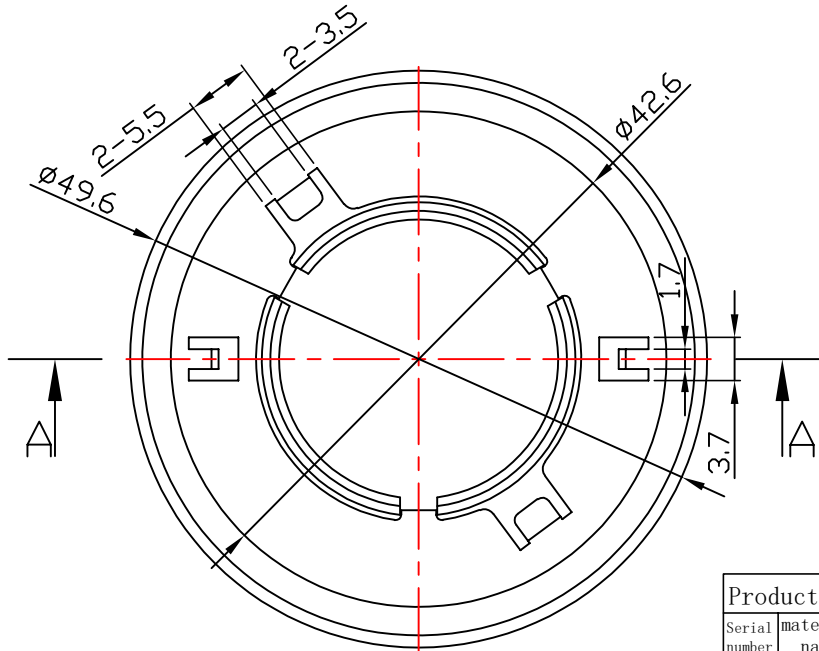


| table for unmentioned tolerance in the drawing (unit: mm) |         |         | punch angle tolerance in the drawing (unit: degree) |         |           |
|---|---------|---------|---|---------|-----------|
| 0-5   | 5-30    | 30-120  | 0-10  | 10-50   | 50-120    |
| ±0.15   | ±0.2    | ±0.5    | ±1°   | ±0.5°   | ±0.3°     |
| 120-250   | 250-400 | 400-700 | 120-250   | 250-360 | 360 above |
| ±0.8  | ±1.5    | ±2      | ±0.2°   | ±0.166° | ±0.083    |



A-A

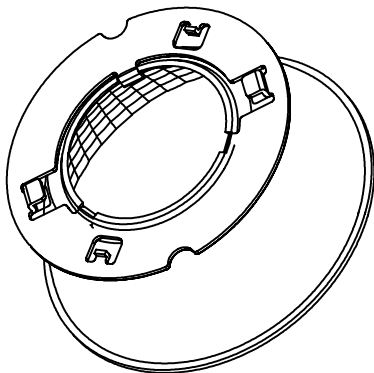
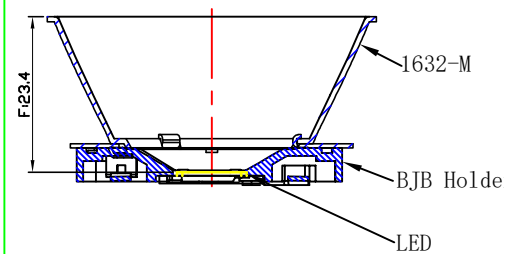


|                |                 |
|----------------|-----------------|
| Light Source   | CREE<br>CXA1512 |
| Plastic Holder | BJB 47.319.6105 |
| Metal Adapter  |                 |
| Design Angle   | 25° ±3°         |
| Measured Angle | 25.2°           |
| Efficiency     |                 |

Product bill of material

| Serial number | material name | Masterial number | NO. | Pagination | Describe                    |
|---------------|---------------|------------------|-----|------------|-----------------------------|
| ①             | 1637-A        | 94.01.0637.000   | 1   | 2          | Material:<br>T=0.8mm 1090AL |
| ②             | 020359        | 97.76.359.00     | 1   | 3          | Material:<br>T=0.6mm SUS304 |

光学装配示意图



| Mark            | Amended Times | Amended Content | Signature      | Amended Date |
|-----------------|---------------|-----------------|----------------|--------------|
| Control Version |               | Design Version  | Client Version |              |
| Designer        |               | Drawing by      | Proportion     | 1:1          |
| Technology      | AO            | Auditor         | KO             | View         |
| Approval        |               | Date            | 2018.07.01     | Page         |

**Nata**<sup>®</sup>  
**NATA Lighting Co.,Ltd**

|                |        |
|----------------|--------|
| Customer Item  |        |
| Customer Code  | NT     |
| Product Number |        |
| Product Name   | 1633-M |