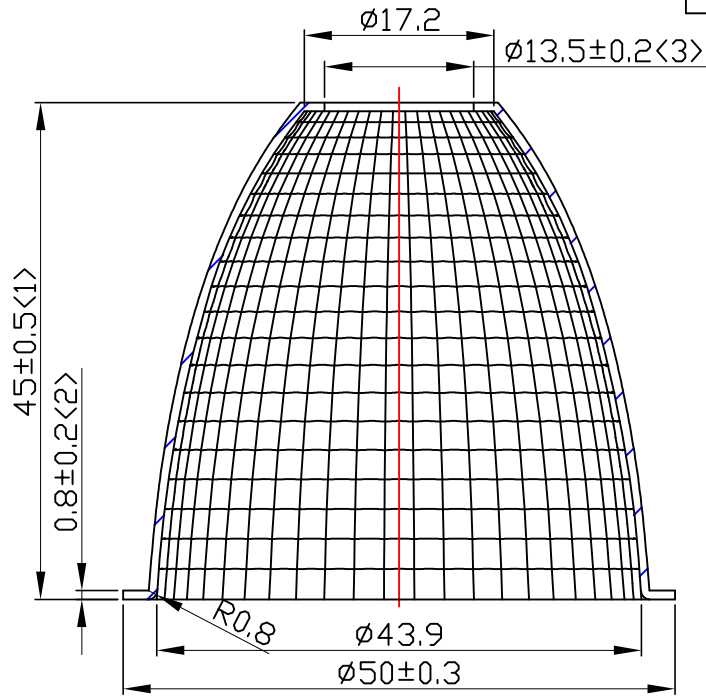
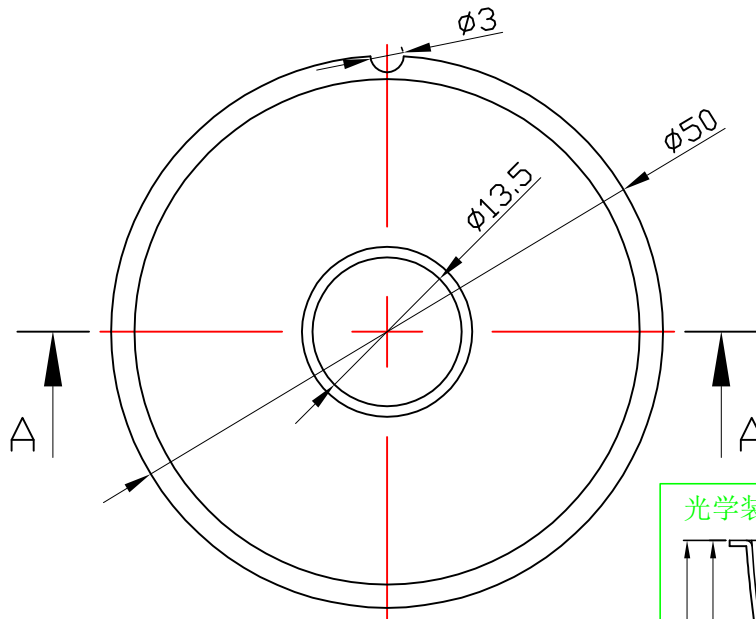


table for unmentioned tolerance in the drawing (unit: mm)			punch angle tolerance in the drawing (unit: degree)		
0-5	5-30	30-120	0-10	10-50	50-120
±0.15	±0.2	±0.5	±1°	±0.5°	±0.3°
120-250	250-400	400-700	120-250	250-360	360 abov
±0.8	±1.5	±2	±0.2°	±0.166°	±0.083°

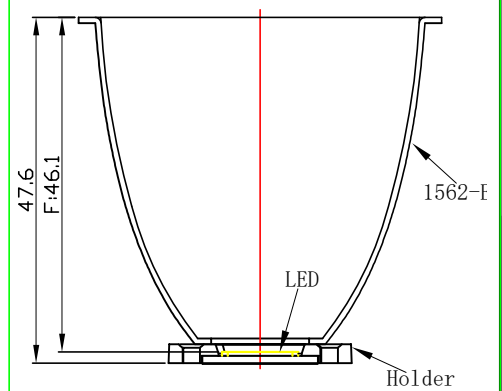


A - A



Light Source	CXA1512 LES8.9
PlasticHolder	92.70.046.00
Metal Adaptor	
Design Angle	$36^\circ \pm 3^\circ$
Measured Angle	$24.5^\circ$
Efficiency	

光学装配示意图



					Material: T=0.8 1090AL		<b>Nata<sup>®</sup></b> <b>NATA Lighting Co.,Ltd</b>	
Mark	Amended Times	Amended Content		Signature	Amended Date	Customer Item		
Control Version	AO	Design Version	KO	Client Version		Customer Code		NT
Designer		Drawing by		Proportion	1:1	Product Number		
Technology		Auditor		View		Product Name		1562-E
Approval		Date	2018.03.16	Page	Total Page			