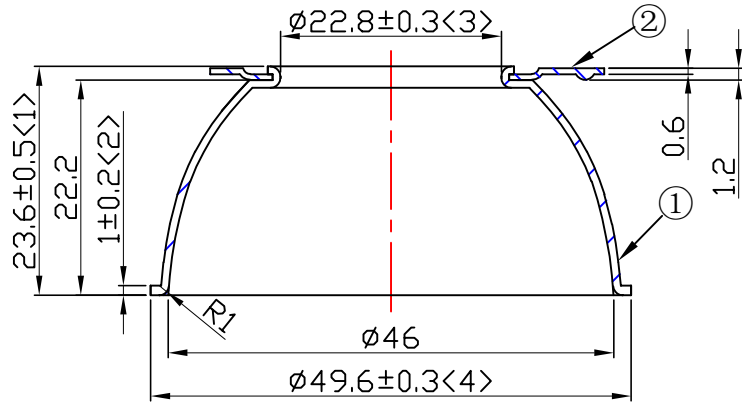
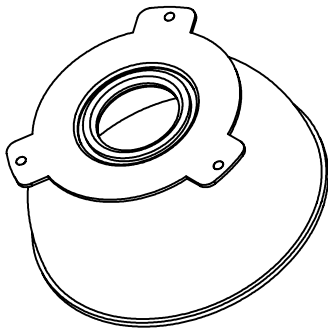
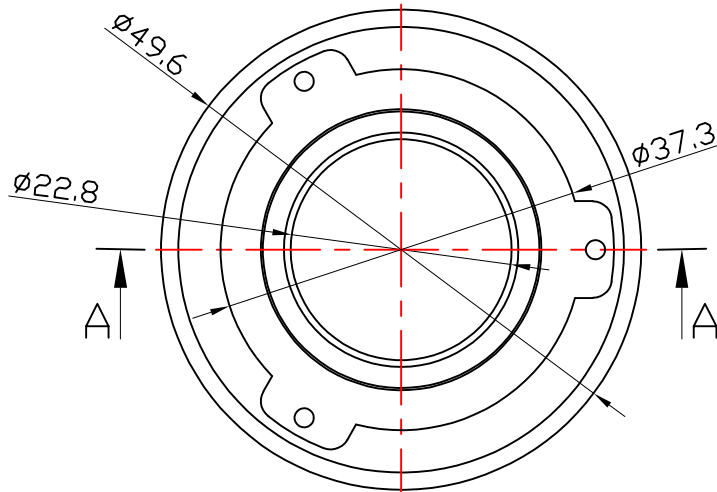


Product bill of material				
Serial number	material name	Masterial number	N0.	Describe
①	1557-A	94.01.0557.000	1	Material:T=1.0mm 1090AL
②	020249	97.76.249.00	1	Material:T=0.6mm SUS304

table for unmentioned tolerance in the drawing (unit: mm)			punch angle tolerance in the drawing (unit:degree)		
0-5	5-30	30-120	0-10	10-50	50-120
±0.15	±0.2	±0.5	±1°	±0.5°	±0.3°
120-250	250-400	400-700	120-250	250-360	360 above
±0.8	±1.5	±2	±0.2°	±0.166°	±0.083°

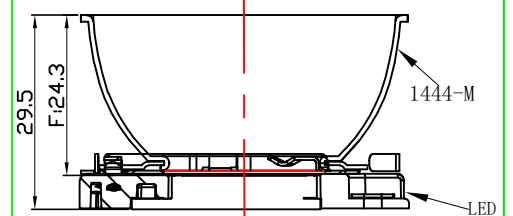


A-A



Light Source	XICATO XTM LES 19mm
PlasticHolder	
Metal Adaptor	
Design Angle	60° ±3°
Measured Angle	62.9°
Efficiency	

光学装配示意图



					Material:T=1.0 1090AL					<b>Nata</b> <sup>®</sup> <b>NATA Lighting Co.,Ltd</b>				
										Customer Item				
										Customer Code				
										Product Number				
										Product Name				
										1444-M				
Mark	Amended Times	Amended Content			Signature	Amended Date								
Controll Version	A3	Design Version	K0		Client Version	1:1								
Designer	Drawing by			Proportion										
Technology	Auditor			View	⊕									
Approval	Date			2018.01.08	Page	Total_ Page_								