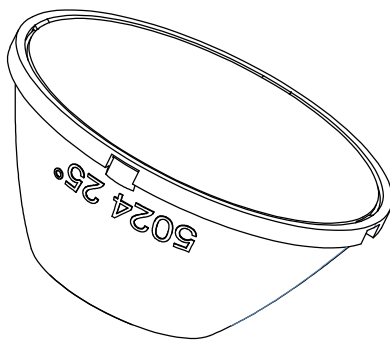
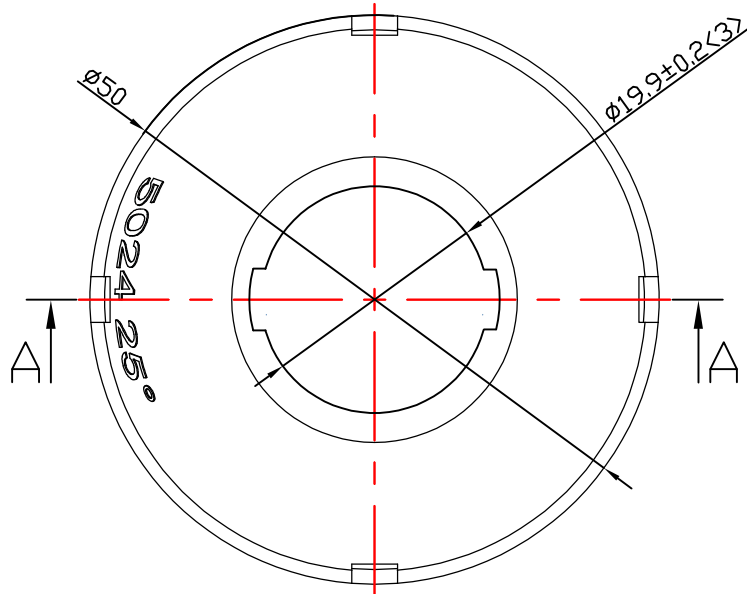
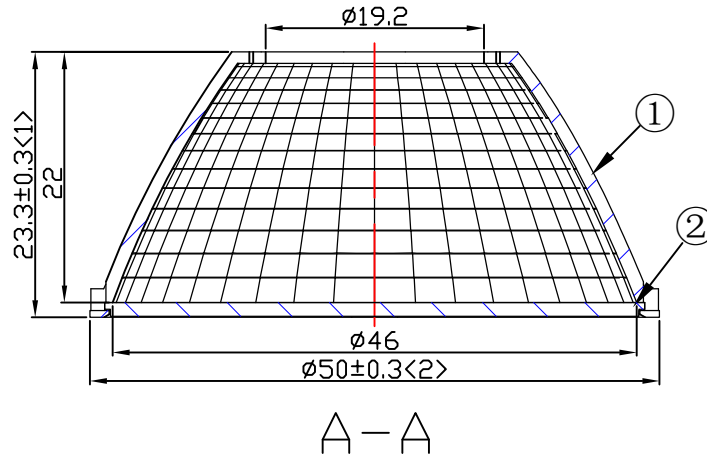


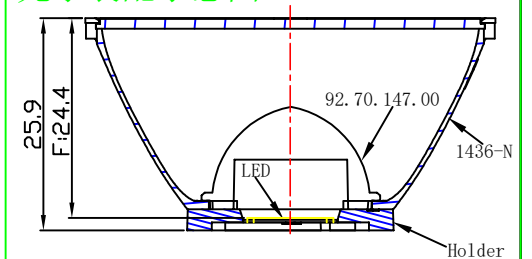
Product bill of material				
Serial number	Material Name	Masterial Number	NO.	Describe
①	1744-S	94.01.0744.000	1	Material:PC
②	D47防尘镜片	97.70.158.00	1	Material:PC

table for unmentioned tolerance in the drawing (unit: mm)					
0-5	5-30	30-120	120-250	250-400	400-700
±0.15	±0.2	±0.5	±0.8	±1.5	±2



Light Source	CREE CXA1520
PlasticHolder	92.70.046.00
Adaptar	92.70.147.00
Design Angle	$24^\circ \pm 3^\circ$
Measured Angle	$23.8^\circ$
Efficiency	

光学装配示意图



Mark	Amended Times	Amended Content		Signature	Amended Date	 <b>Nata®</b> <b>NATA Lighting Co.,Ltd</b>		Customer Item	
Controll Version	A0	Design Version	K1	Client Version				Customer Code	NT
Designer		Drawing by		Proportion	1:1			Product Number	
Technology		Auditor		View				Product Name	1436-N
Approval		Date	2018.09.29	Page	Total_Page_				