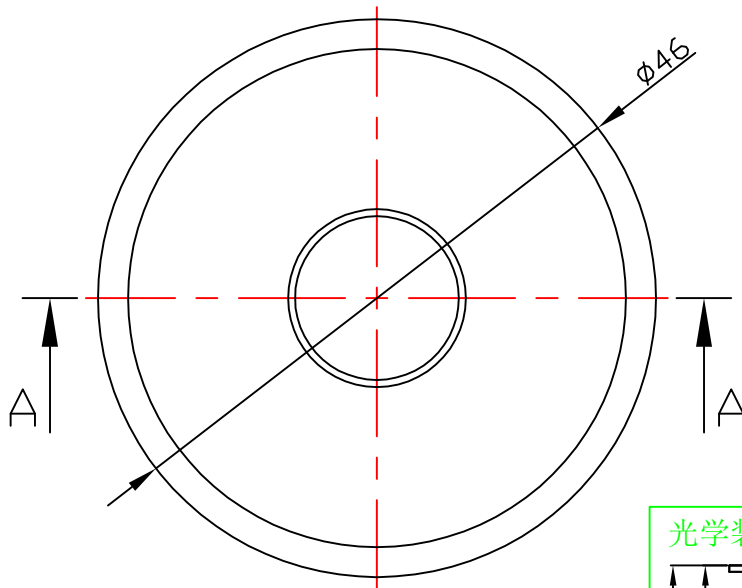
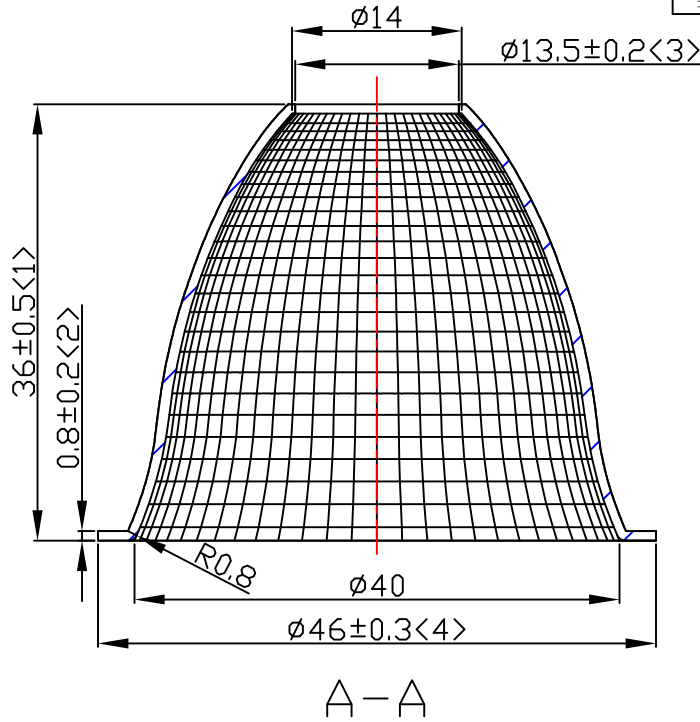
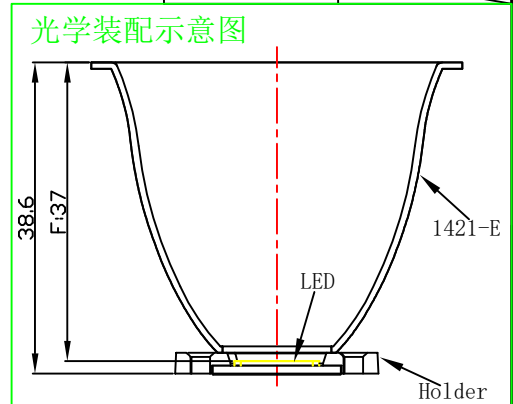


table for unmentioned tolerance in the drawing (unit: mm)			punch angle tolerance in the drawing (unit:degree)		
0-5	5-30	30-120	0-10	10-50	50-120
±0.15	±0.2	±0.5	±1°	±0.5°	±0.3°
120-250	250-400	400-700	120-250	250-360	360 abov
±0.8	±1.5	±2	±0.2°	±0.166°	±0.083°



Light Source	CXA1512 LES8.9
PlasticHolder	92.70.046.0C
Metal Adaptor	
Design Angle	30° ±3°
Measured Angle	31.6°
Efficiency	



					Material:T=0.8 1090AL		Nata® NATA Lighting Co.,Ltd	
							Customer Item	
							Customer Code	NT
							Product Number	
							Product Name	1421-E
Mark	Amended Times	Amended Content		Signature	Amended Date			
Controll Version	A0	Design Version	K0	Client Version				
Designer		Drawing by		Proportion	1:1			
Technology		Auditor		View				
Approval		Date	2018.03.16	Page	Total_Page			