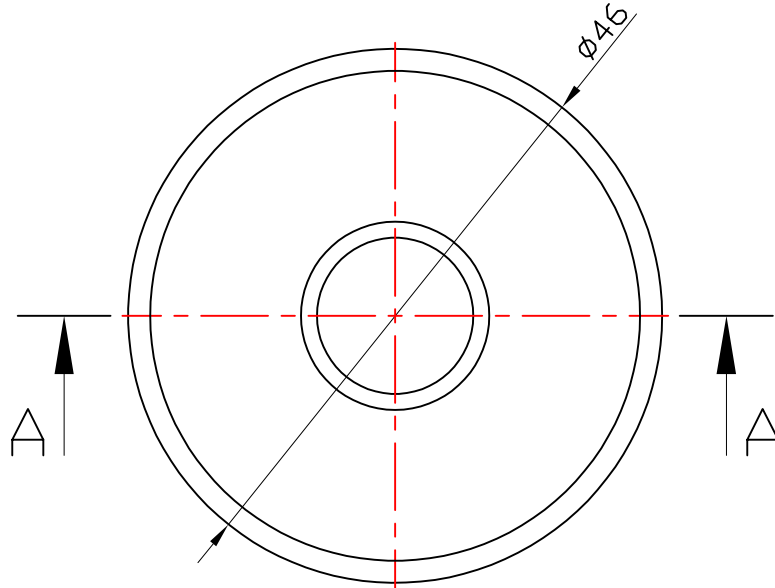
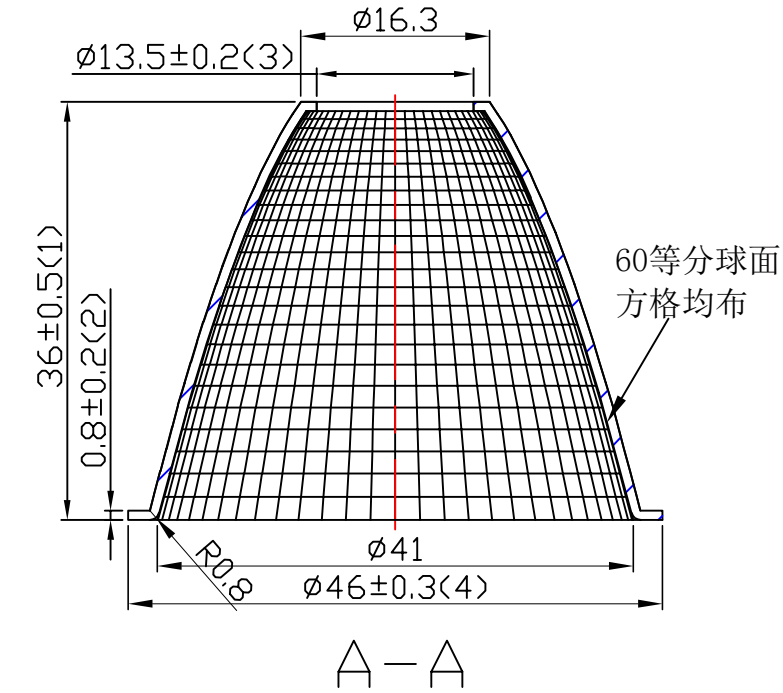
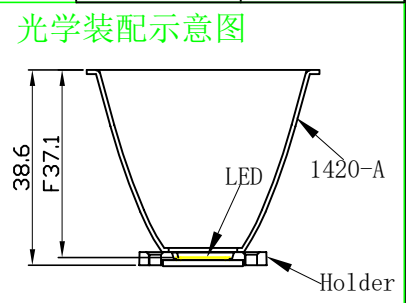


table for unmentioned tolerance in the drawing (unit: mm)			punch angle tolerance in the drawing (unit:degree)		
0-5	5-30	30-120	0-10	10-50	50-120
±0.15	±0.2	±0.5	±1°	±0.5°	±0.3°
120-250	250-400	400-700	120-250	250-360	360 above
±0.8	±1.5	±2	±0.2°	±0.166°	±0.083°



Light Source	CREE CXA1512
PlasticHolder	92.70.046.00
Metal Adapter	
Design Angle	$18^\circ \pm 3^\circ$
Measured Angle	17.8°
Efficiency	



Material:T=0.8 1090AL					
Mark	Amended Times	Amended Content		Signature	Amended Date
Controll Version	AO	Design Version	K0	Client Version	
Designer		Drawing by		Proportion	1:1
Technology		Auditor		View	
Approval		Date	2017. 12. 29	Page	Total_ Page_

Nata [®] NATA Lighting Co.,Ltd	
Customer Item	
Customer Code	NT
Product Number	
Product Name	1420-E