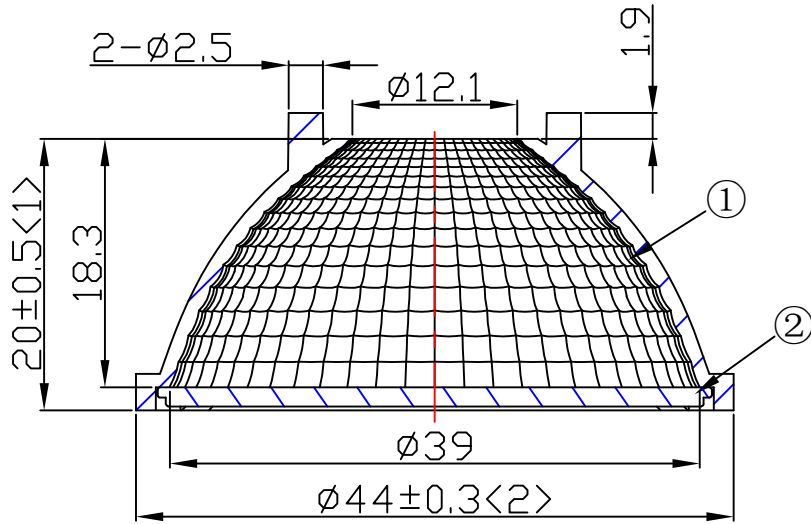
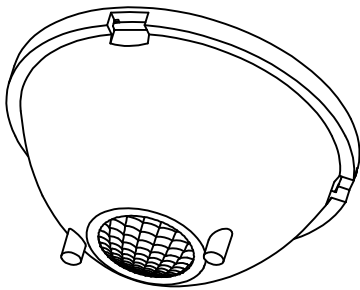
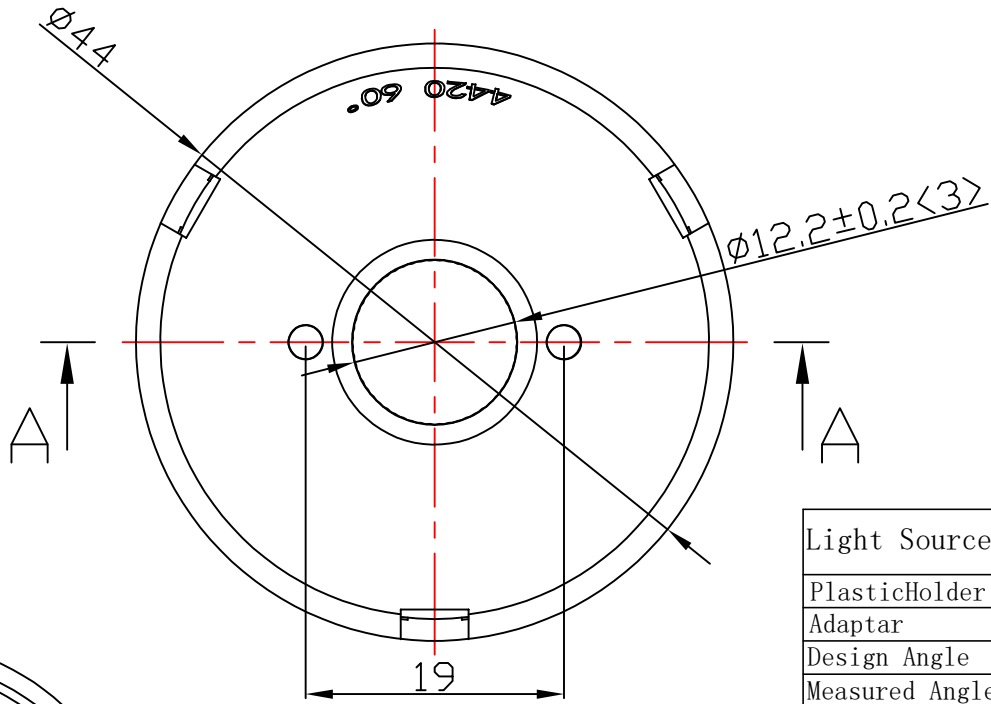


Product bill of material				
Serial number	material name	Masterial number	NO.	Describe
①	1708-S	94.01.0708.000	1	Material:PC
②	D40.8镜面防尘片	97.70.047.00	1	Material:PC

table for unmentioned tolerance in the drawing (unit: mm)					
0-5	5-30	30-120	120-250	250-400	400-70
±0.15	±0.2	±0.5	±0.8	±1.5	±2

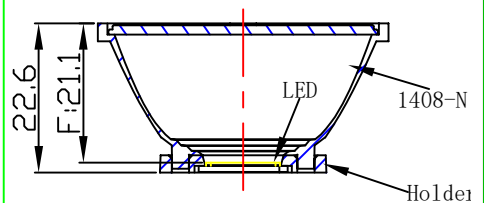


A-A



Light Source	CITIZEN CLU028
PlasticHolder	92.70.064.00
Adaptar	
Design Angle	58° ±3°
Measured Angle	57.8°
Efficiency	

光学装配示意图



Mark	Amended Times	Amended Content		Signature	Amended Date
Controll Version	A0	Design Version	K2	Client Version	
Designer		Drawing by		Proportion	1:1
Technology		Auditor		View	
Approval		Date	2018.09.29	Page	Total_Page_

Material:PC

Nata[®]
NATA Lighting Co.,Ltd

Customer Item	
Customer Code	NT
Product Number	
Product Name	1408-N