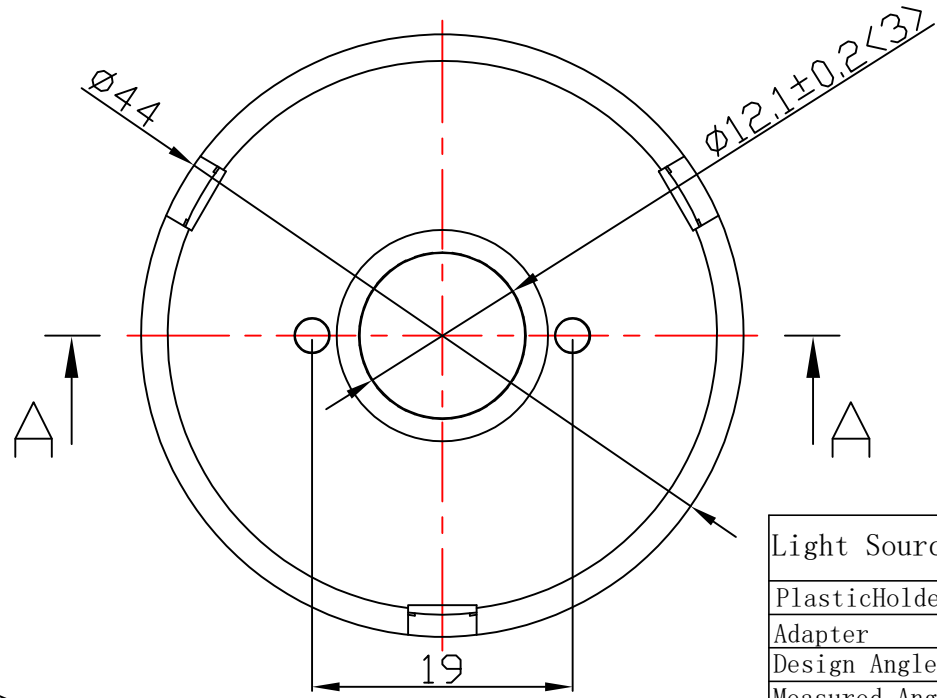
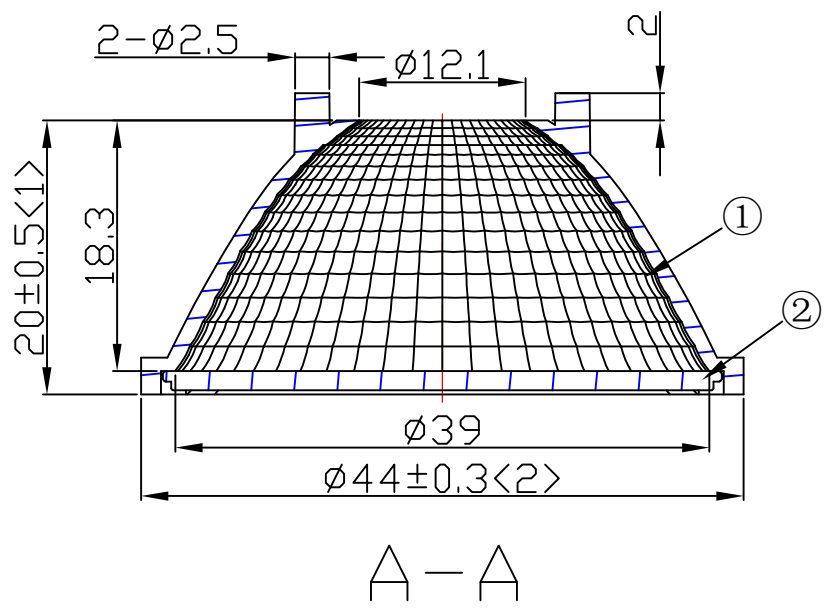
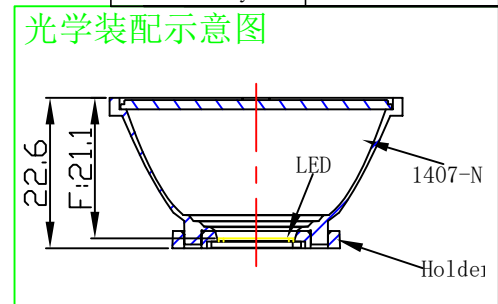
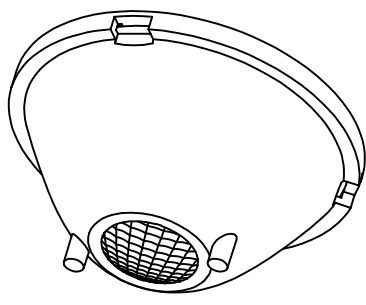


Product bill of material				
Serial number	material name	Masterial number	NO.	Describe
①	1707-S	94.01.0707.000	1	Material:PC
②	D40.8镜面防尘片	97.70.047.00	1	Material:PC

table for unmentioned tolerance in the drawing (unit: mm)					
0-5	5-30	30-120	120-250	250-400	400-70
±0.15	±0.2	±0.5	±0.8	±1.5	±2



Light Source	CITIZEN CLU028
PlasticHolder	92.70.064.00
Adapter	
Design Angle	48° ±5°
Measured Angle	47.8°
Efficiency	



					Material:PC		Nata[®] NATA Lighting Co.,Ltd	
Mark	Amended Times	Amended Content		Signature	Amended Date	Customer Item		
Controll Version	AO	Design Version	K2	Client Version		Customer Code	NT	
Designer		Drawing by		Proportion	1:1	Product Number		
Technology		Auditor		View		Product Name	1407-N	
Approval		Date	2018 09 29	Page	Total Page			