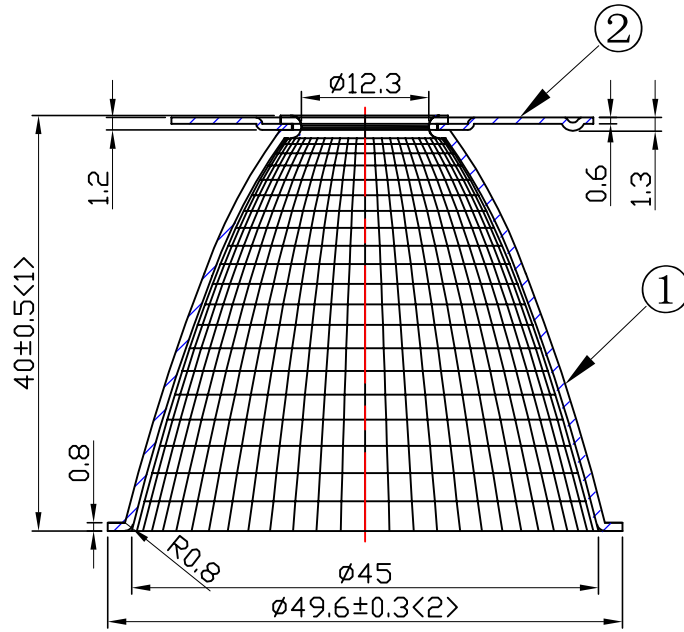
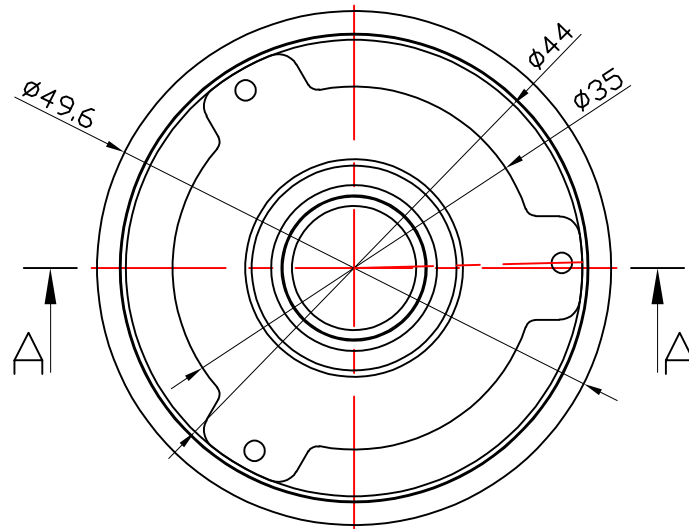


Product bill of material				
Serial number	material name	Masterial number	NO.	Describe
①	1768-A	94.01.0768.000	1	Material:T=0.8mm 1090AL
②	020283	97.76.283.00	1	Material:T=0.6mm SUS304

table for unmentioned tolerance in the drawing (unit: mm)			punch angle tolerance in the drawing (unit:degree)		
0-5	5-30	30-120	0-10	10-50	50-120
±0.15	±0.2	±0.5	±1°	±0.5°	±0.3°
120-250	250-400	400-700	120-250	250-360	360 abov
±0.8	±1.5	±2	±0.2°	±0.166°	±0.083



A-A



Light Source	XICATO XTM LES 9mm
PlasticHolder	
Metal Adaptar	
Design Angle	16° ±3°
Measured Angle	16°
Efficiency	

Nata[®]
NATA Lighting Co.,Ltd

Mark	Amended Times	Amended Content		Signature	Amended Date	Customer Item	
Controll Version	A1	Design Version	K0	Client Version		Customer Code	NT
Designer		Drawing by		Proportion		Product Number	
Technology		Auditor		View		Product Name	1365-M
Approval		Date	2018 01 05	Page			