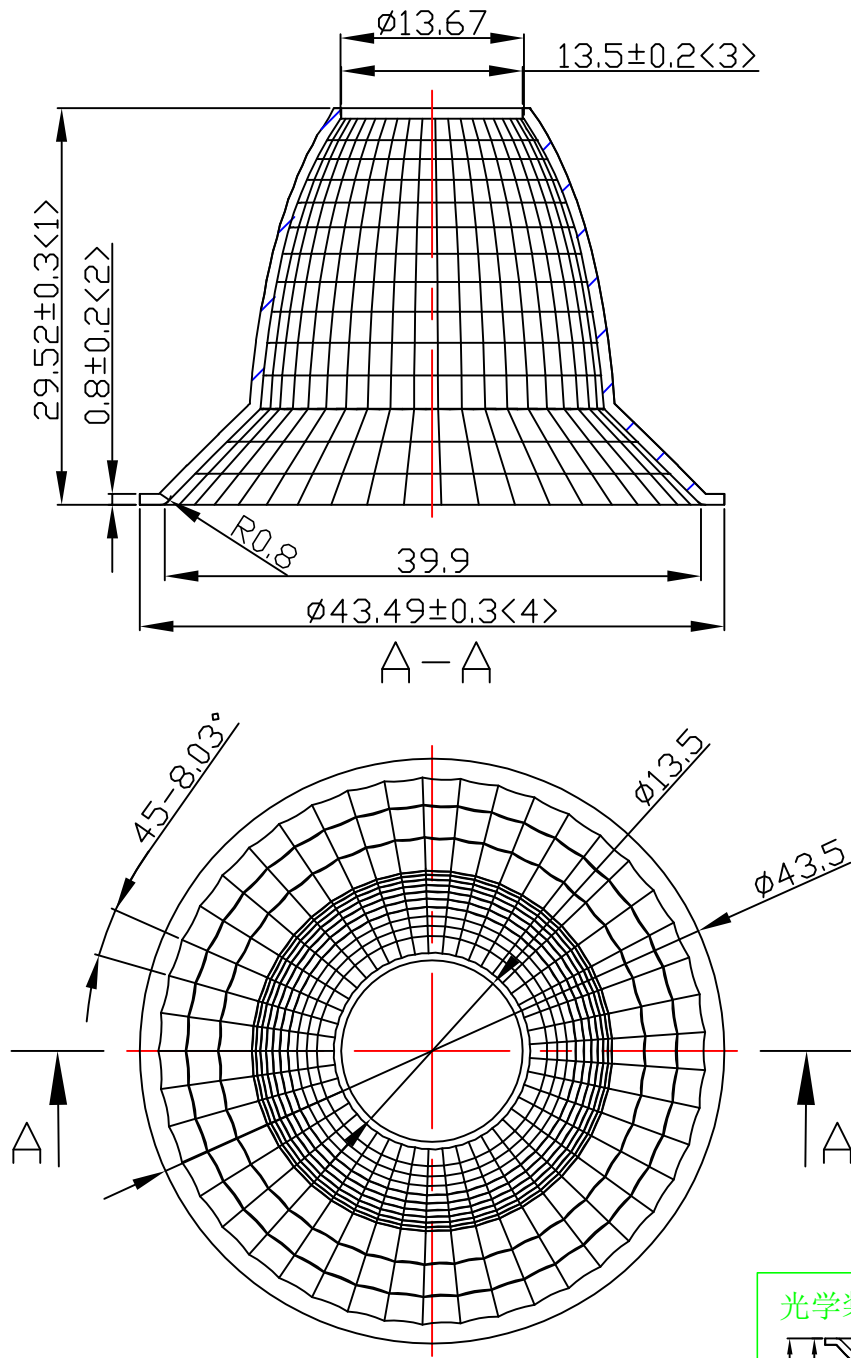
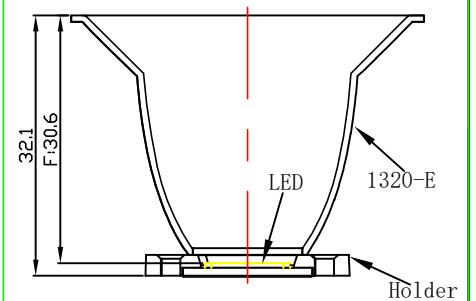


table for unmentioned tolerance in the drawing (unit: mm)			punch angle tolerance in the drawing (unit:degree)		
0-5	5-30	30-120	0-10	10-50	50-120
±0.15	±0.2	±0.5	±1°	±0.5°	±0.3°
120-250	250-400	400-700	120-250	250-360	360 above
±0.8	±1.5	±2	±0.2°	±0.166°	±0.083°



Light Source	CXA1512 LES8.9
Plastic Holder	92.70.046.00
Metal Adaptor	
Design Angle	34° ± 3°
Measured Angle	44°
Efficiency	

光学装配示意图



				Material: T=0.8 1090AL		Nata [®] NATA Lighting Co., Ltd	
						Customer Item	
						Customer Code	NT
						Product Number	
						Product Name	1320-E
Mark	Amended Times	Amended Content		Signature	Amended Date		
Controll Version	A0	Design Version	K0	Client Version			
Designer		Drawing by		Proportion	1:1		
Technology		Auditor		View			
Approval		Date	2018.03.16	Page	Total Page		