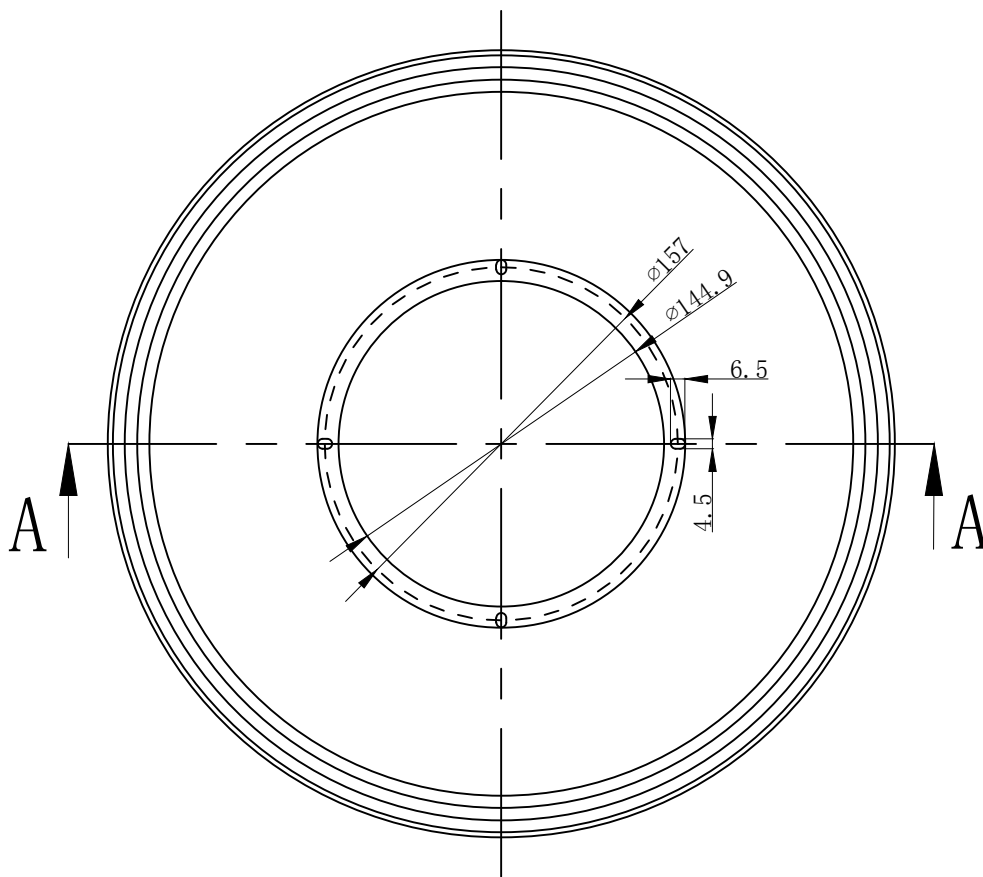
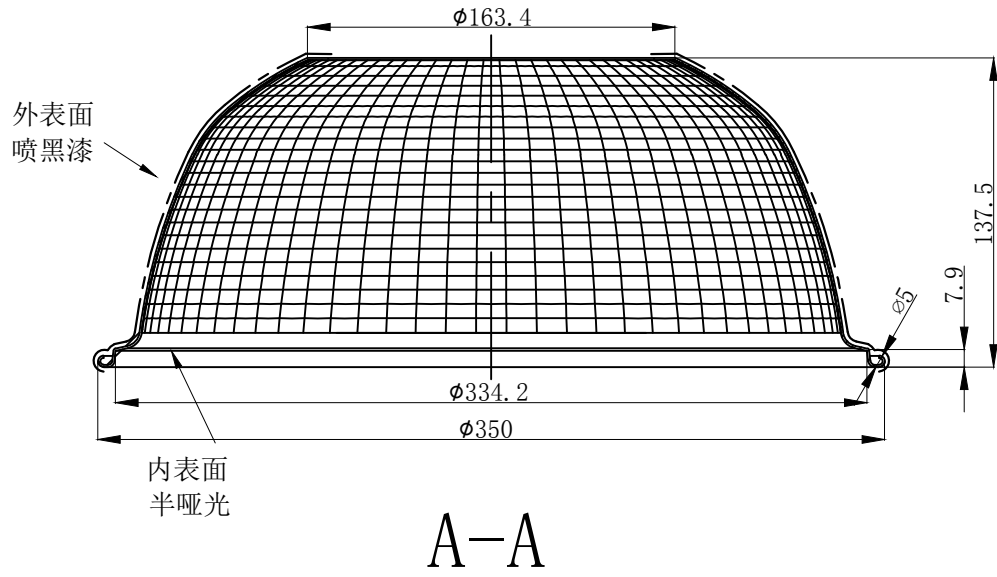


未注公差表 (单位: MM)			冲孔角度公差表 (单位:度)		
0-5	5-30	30-120	0-10	10-50	50-120
±0.15	±0.2	±0.5	±1°	±0.5°	±0.3°
120-250	250-400	400-700	120-250	250-360	360以上
±0.8	±1.5	±2	±0.2°	±0.166°	±0.083°
"()" Important size					



					Material:T=1.0 1070AL		Nata® NATA Lighting Co.,Ltd		
							Customer Item		
Mark	Amended Times	Amended Content		Signature	Amended Date			Customer Code	NT
Control Version	A0	Design Version	K0	Client Version				Product Number	13-0048-K
Designer		Drawing by		Proportion	1:1			Product Name	91.13.0048.000
Technology		Auditor		View					
Approval		Date	2019.08.22	Page	Total Page				