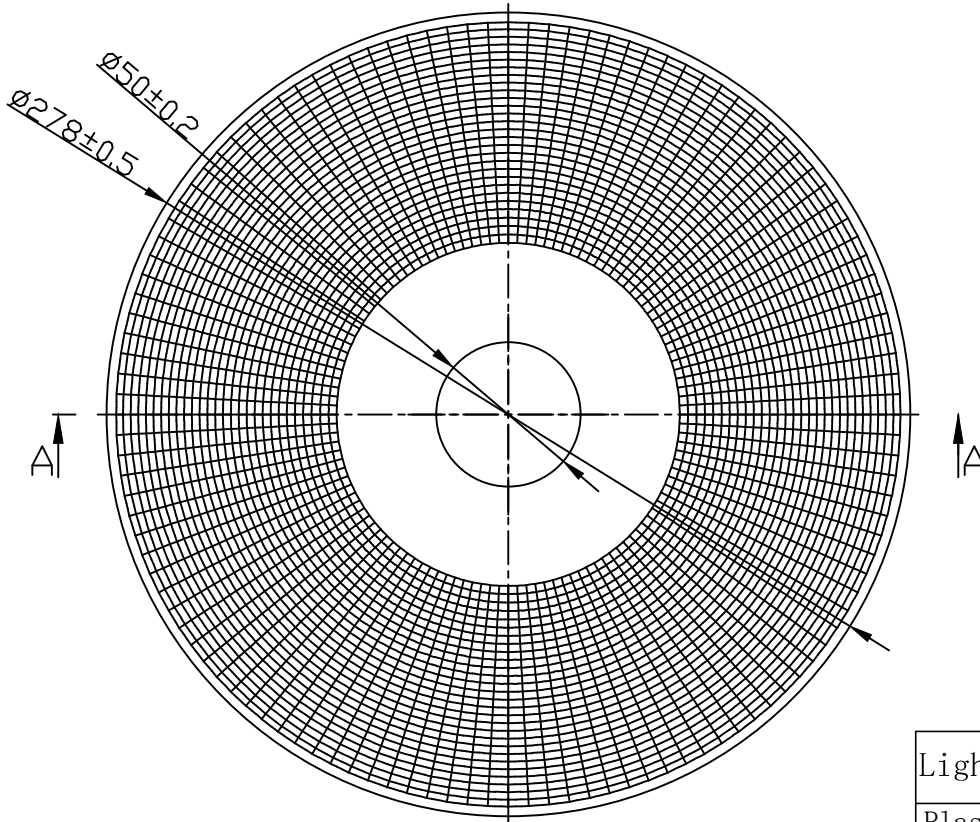
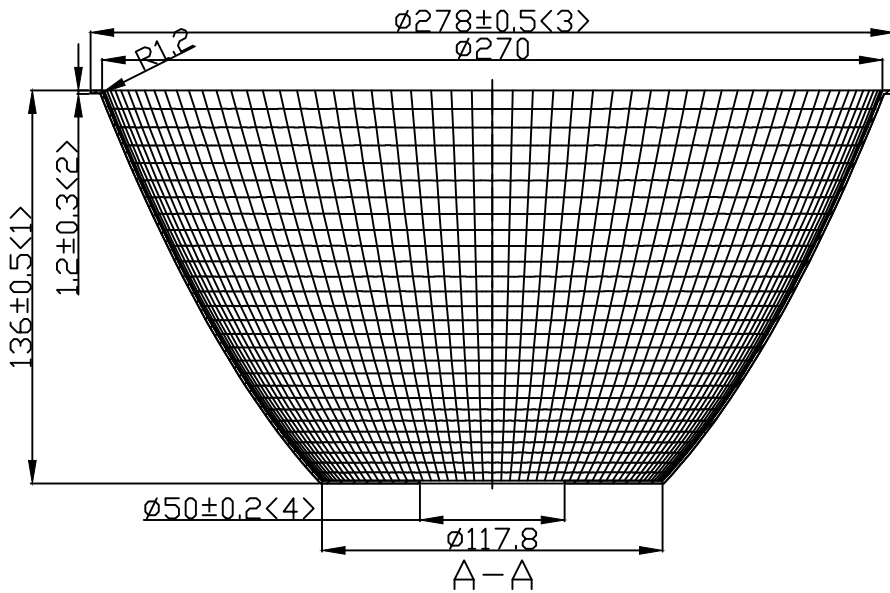


table for unmentioned tolerance in the drawing (unit: mm)			punch angle tolerance in the drawing (unit:degree)		
0-5	5-30	30-120	0-10	10-50	50-120
±0.15	±0.2	±0.5	±1°	±0.5°	±0.3°
120-250	250-400	400-700	120-250	250-360	360 above
±0.8	±1.5	±2	±0.2°	±0.166°	±0.083°

"<" Important size



Light Source	CITIZEN CLU550
Plastic Holder	
Metal Adaptor	
Design Angle	10°
Measured Angle	10°

					Material:T=1.0 1090AL					<b>Nata</b> <sup>®</sup> Lighting Co., Ltd									
Mark	Amended Times	Amended Content			Signature			Amended Date		Customer Item									
Controll Version	A0	Design Version	K0	Client Version	Customer Code					NT									
Designer	C	Drawing by			Proportion		1:1			Product Number					91. 10. 0067. 000				
Technology		Auditor			View					Product Name					10-0067-E				
Approval		Date	2018. 11. 05	Page	Total_ Page_														