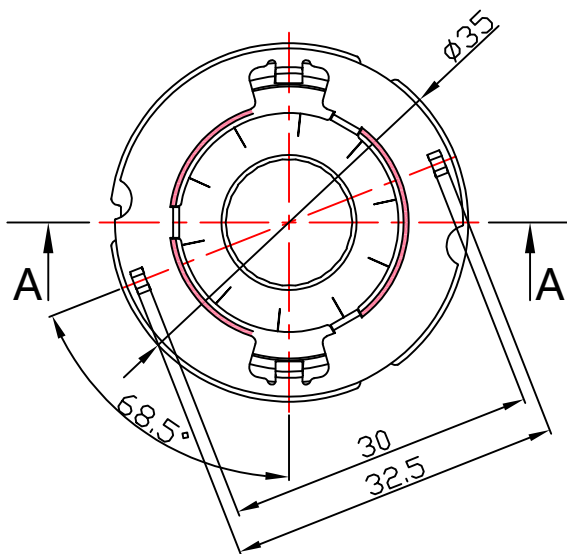
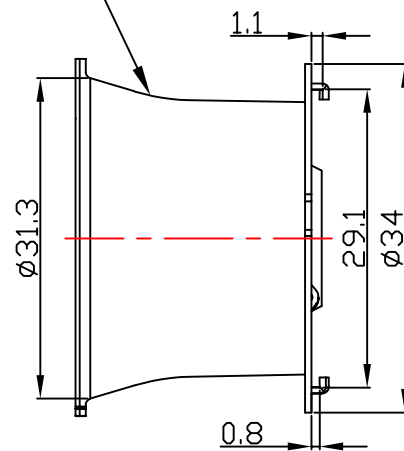


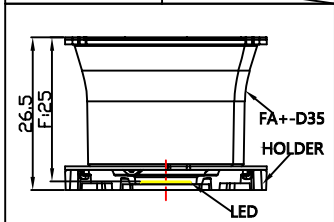
A-A



c面: 外表面。



LIGHT SOURCE	LUMILEDS 1202HD
PLASTIC HOLDER	92.70.409.00
METAL ADAPTAR	
DESIGNED B.A.	18°±3°
MEASURED B.A.	18.9°
EFFICIENCY	



Technical requirements:

- 1.**KEY CONTROL DIMENSION.
- 2.Tolerances not noted are in accordance with the tolerance table.
- 3.unmarked rounded corners Press for 3D.
- 4.Surface without imprint, black spots, cracks, wrinkles and other poor.

PRODUCT BOM

NO.	PRODUCT NAME	P/N:	QUANTITY	MATERIAL/FINISH
①	1-1200-M卡扣	97.77.072.00	1	T=0.6mm SUS301
②	1-1268-A	94.01.1268.000	1	T=0.6mm 1070AL/Andoizing
③	1-1269-A	94.01.1269.000	1	T=0.4mm High reflectivity aluminum(Mirror surface)

标记	处数	更改内容	签名	更改日期
MARK	NO.OF MODIF	MODIFICATIONS	SIGNED BY	MODIF. DATE
设计	制图	审核	比例	1:1
DESIGNER	DRAWN BY	CHECKED BY	SCALE	
工艺	日期	日期	视角	
TECHNICAN	DATE(DD-MM-YYYY)	DATE(DD-MM-YYYY)	1st ANGLE PROJECTION	
批准	29-09-2022	29-09-2022	页数	SHEET 1 OF 1
APPROVED BY			PAGE	

DIMENSION TOLERANCE TABLE (UNLESS OTHERWISE STATED)						
> 0-5	> 5-30	> 30-90	> 90-150	> 150-250	> 250-400	> 400-700
±0.15	±0.2	±0.4	±0.5	±0.8	±1.5	±2

PUNCH TOLERANCE TABLE (UNLESS OTHERWISE STATED) (ANGLE)				
> 0-10	> 10-50	> 50-120	> 120-250	> 250-360
±1°	±0.5°	±0.3°	±0.2°	±0.166°

		版本	K
		VERSIONS	
产品编码	91.01.1373.000	客户代号	NT
PRODUCT CODE		CUSTOMER ID	
产品名称	1-1373-L	客户编号	FA+-35-18D
PRODUCT NAME		CUSTOMER CODE	

产品图
PRODUCT DRAWING

单位
UNIT
mm